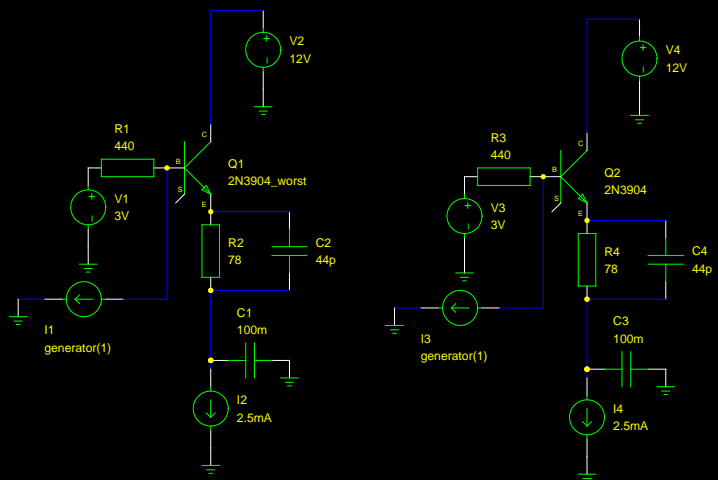
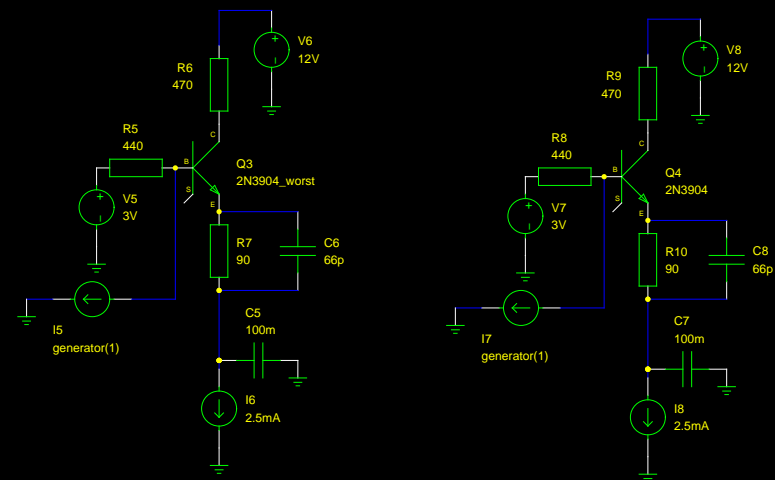


## Original



## Adjusted For Miller Effect



```

A1  Gnuicap directive  .include sim/models/2n3904_worst.lib
A2  Gnuicap directive  .include sim/models/2n3904.lib
A3  Gnuicap options    numdgt=9 out=10000 clobber rstray
A4  Gnuicap directive  .print ac imdb(v2) imdb(v4) imdb(v6) imdb(v8) ip(v2) ip(v4) ip(v6) ip(v8)
A5  Gnuicap directive  .op
A6  Gnuicap directive  .ac 400k 80Meg Dec 20 >sim/miller.data Basic Quiet
    
```

### 2N3904 Long Tail Pair: Various Emitter Degeneration RC Networks

TITLE

FILE: To be released under GFDL

REVISION: 20081007

PAGE 1 OF 1

DRAWN BY: Clock