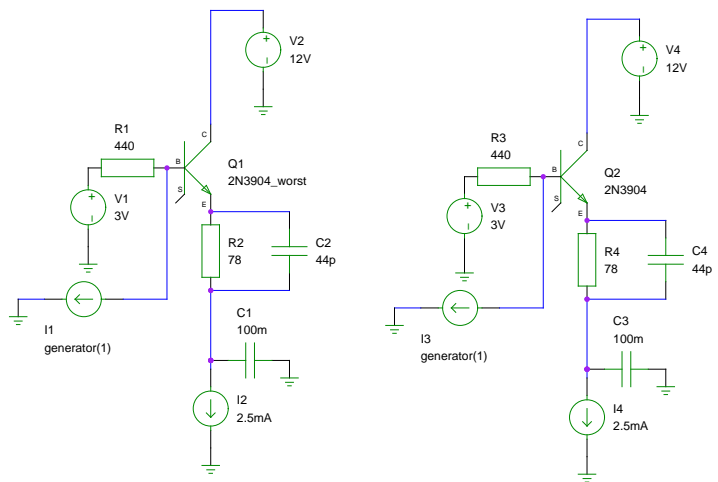
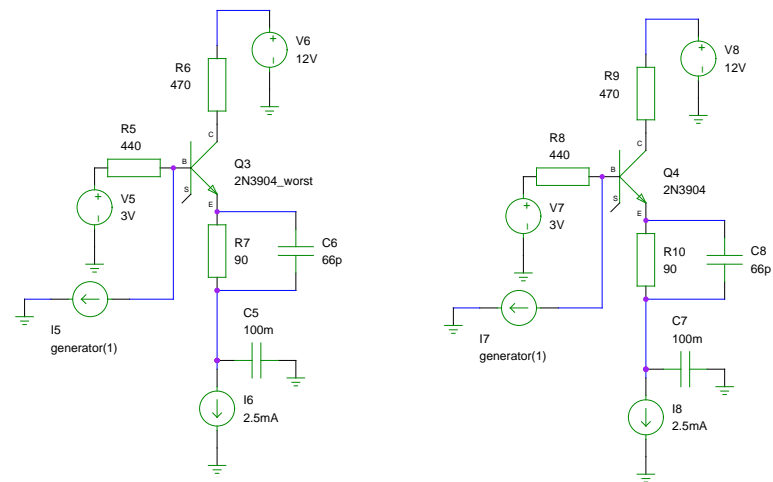


Original



Adjusted For Miller Effect



```

A1 Gnuicap directive .include sim/models/2n3904_worst.lib
A2 Gnuicap directive .include sim/models/2n3904.lib
A3 Gnuicap options numdgt=9 out=10000 clobber rstray
A4 Gnuicap directive .print ac imdb(v2) imdb(v4) imdb(v6) imdb(v8) ip(v2) ip(v4) ip(v6) ip(v8)
A5 Gnuicap directive .op
A6 Gnuicap directive .ac 400k 80Meg Dec 20 >sim/miller.data Basic Quiet
    
```

2N3904 Long Tail Pair: Various Emitter Degeneration RC Networks

TITLE

FILE: To be released under GFDL

REVISION: 20081007

PAGE 1 OF 1

DRAWN BY: Clock