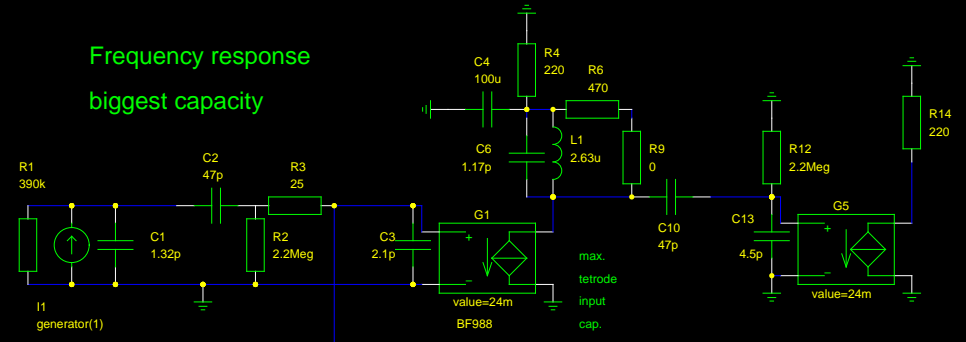
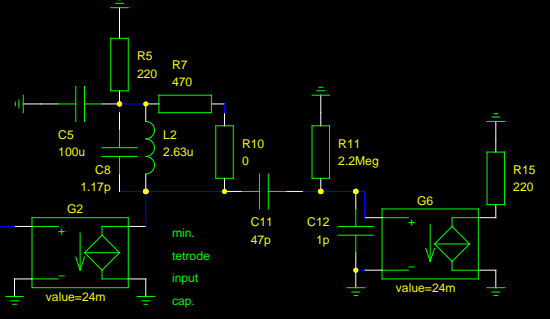


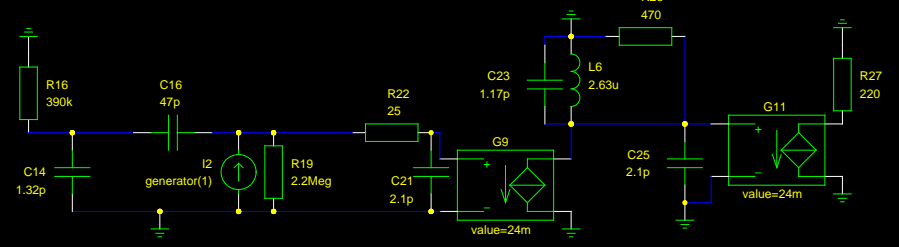
Frequency response
biggest capacity



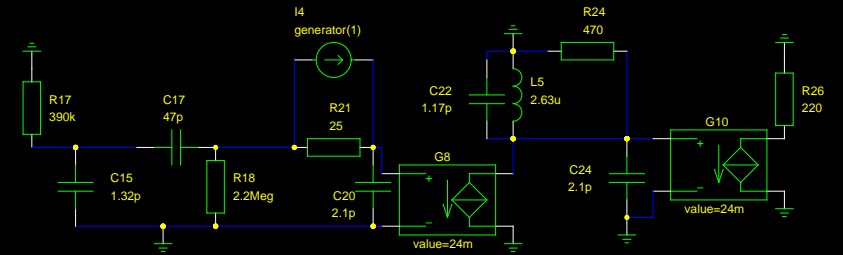
Frequency response smallest capacity



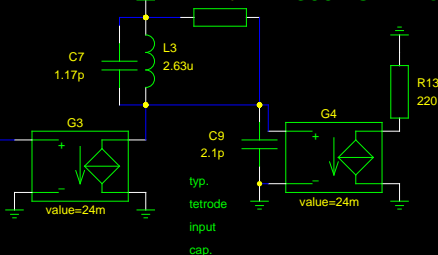
2.2Meg noise



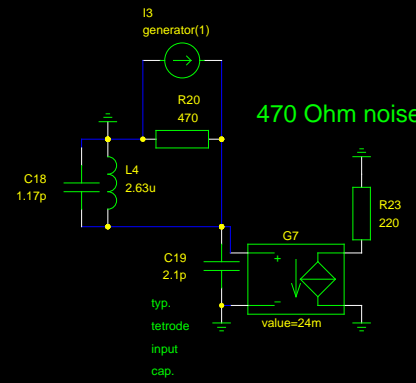
25 Ohm noise



390 kOhm noise



470 Ohm noise



```

A1 Gnuicap directive .include sim/models/bfr90_worst.lib
A10 Gnuicap directive .include sim/models/bfr90_best.lib
A11 Gnuicap directive .include sim/models/bfr91_worst.lib
A12 Gnuicap directive .include sim/models/bfr91_best.lib
A2 Gnuicap directive .include sim/models/bfr91a_worst.lib
A3 Gnuicap directive .include sim/models/bfr91a_best.lib
A4 Gnuicap options numdgt=9 out=10000 clobber rstray
A5 Gnuicap directive .op
A6 Gnuicap directive .print ac imdb(G5) imdb(G6) vp(G5) vp(G6)
A7 Gnuicap directive .ac 11 9.5G Dec 50 >sim/feld.data Basic Quiet
A8 Gnuicap directive .print ac im(G4) im(G11) im(G10) im(G7) im(G3)
A9 Gnuicap directive .ac 1Meg 10Meg *10 >sim/feld2.data Basic Quiet
    
```

Frontend with DIY Coil

TITLE:	To be released under GFDL		REVISION:	20090131	
PAGE:	1	OF	1	DRAWN BY:	Clock