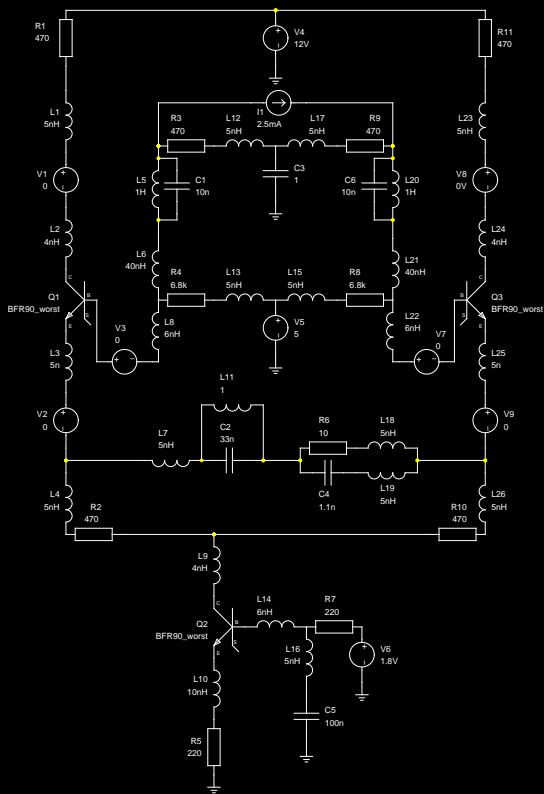
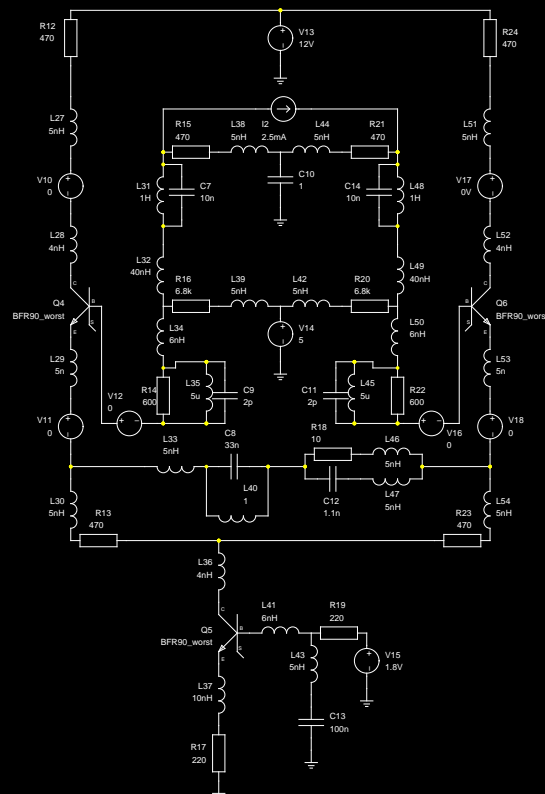


BFR90\_worst without compensation



BFR90\_worst with resonant circuits in series with base



A1	Ghucap directive	.include sim/models/bfr91a_worst.lib
A2	Ghucap directive	.include sim/models/bfr90_worst.lib
A3	Ghucap directive	.include sim/models/bfr90_best.lib
A4	Ghucap options	numdigi=9 out=10000 clobber rstray
A5	Ghucap directive	.print ac zr(V1) zr(V3) zr(V2) zr(V10) zr(V12) zr(V11) zr(V8) zr(V8) zr(V7) zr(V9) zr(V9) zr(V17) zr(V17) zr(V16) zr(V16) zr(V18) zr(V18)
A6	Ghucap directive	.op
A7	Ghucap directive	.ac 1.2k 9.5G Dec 150 >sim\c\psero.data Basic Quiet

BFR90 worst and best stability in clipped state			
TITLE	Released under GFDL		REVISION: 20081025
FILE	1	OF	1
PAGE	1	DRAWN BY:	Clock