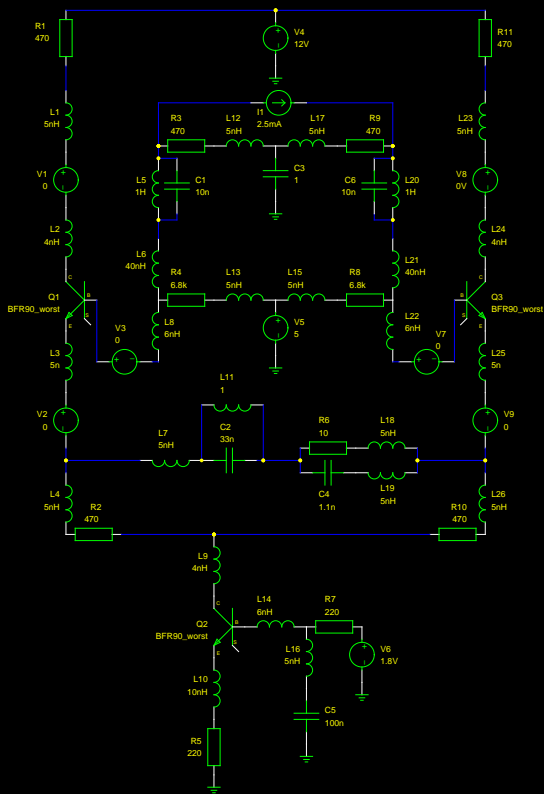
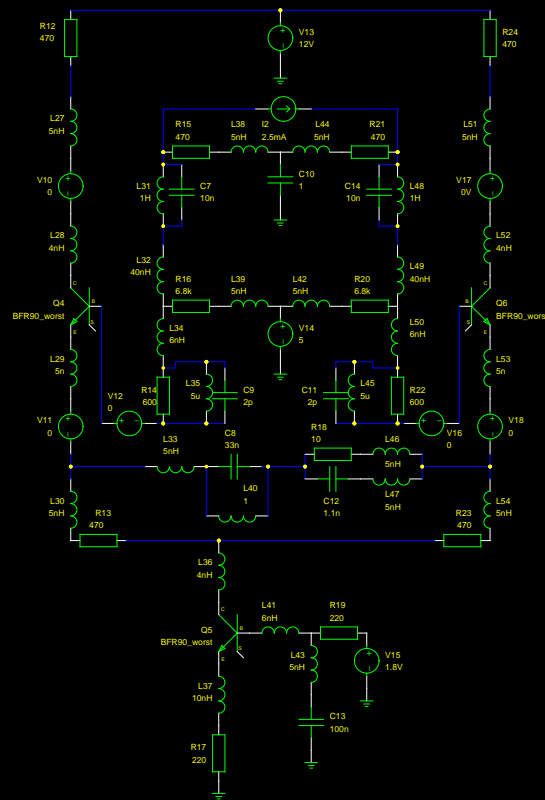


BFR90\_worst without compensation



BFR90\_worst with resonant circuits in series with base



- A1 Gnuicap directive .include sim/models/bfr91a\_worst.lib
- A2 Gnuicap directive .include sim/models/bfr90\_worst.lib
- A3 Gnuicap directive .include sim/models/bfr90\_best.lib
- A4 Gnuicap options numdigi=9 out=10000 clobber=rastray
- A5 Gnuicap directive .print ac zr(V1) zr(V3) zr(V2) zr(V10) zr(V12) zr(V18) zr(V8) zr(V7) zr(V9) zr(V9) zr(V17) zr(V17) zr(V16) zr(V16) zr(V18) zr(V18)
- A6 Gnuicap directive .op
- A7 Gnuicap directive .ac 1.2k 9.5G Dec 150 >sim\cypress\data Basic Quiet

BFR90 worst and best stability in clipped state			
TITLE			
FILE	Released under GFDL	REVISION	20081025
PAGE	1 OF 1	DRAWN BY	Cluck