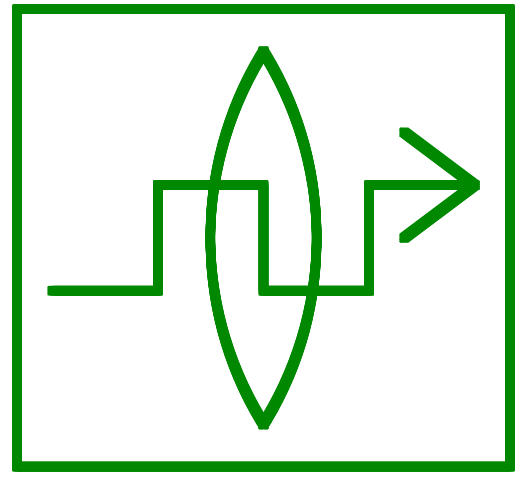
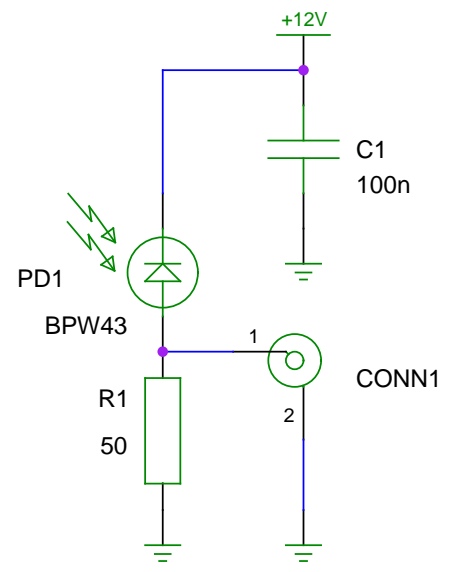


SFH203, BPW43



RONJA

Ronja Optical Oscilloscope Sniffer

TITLE				
FILE:	licensed under GFDL		REVISION:	Feb 1, 2006
PAGE	1	OF	1	DRAWN BY: Clock