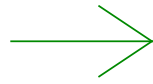
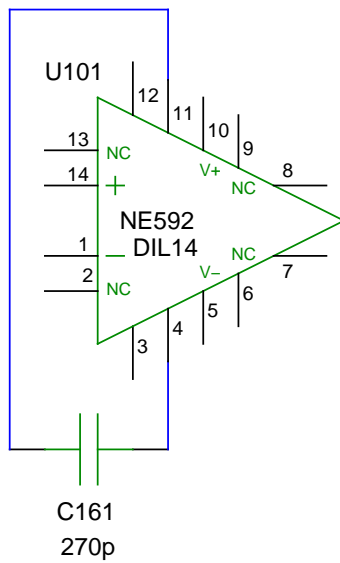
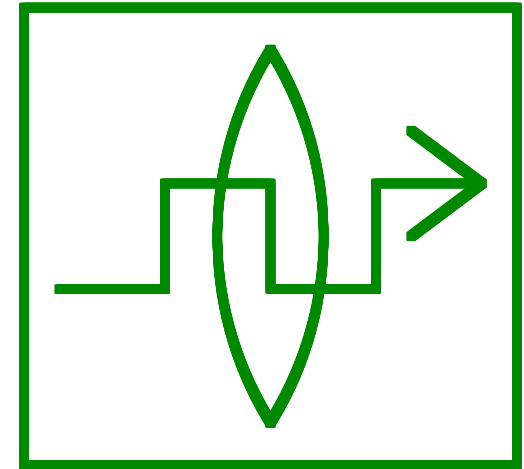
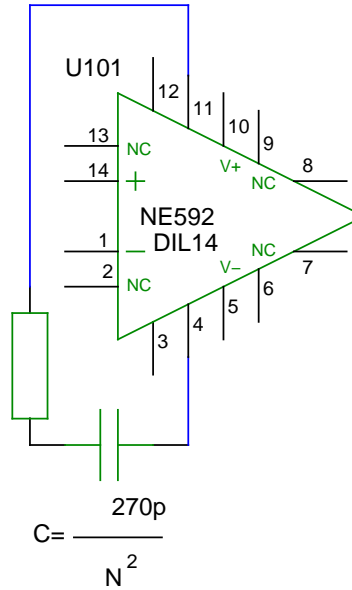


Change in 10M Receiver or Inferno Receiver:



$$R = 32 * (N^2 - 1)$$



RONJA

N=how many times we want to reduce minimum distance.

Example: we want to reduce minimum distance

from 90m to 45m. Then N=2.

Reducing minimum communication distance

TITLE

FILE: licensed under GFDL

REVISION: May 5, 2005

PAGE 1 OF 1

DRAWN BY: Clock