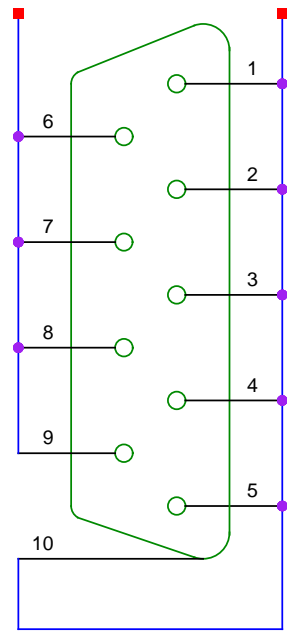


POWER

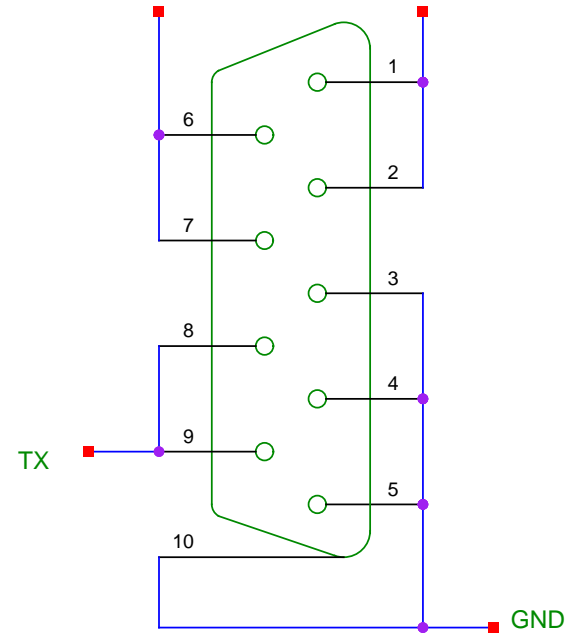
SIGNAL

+12V regulated GND

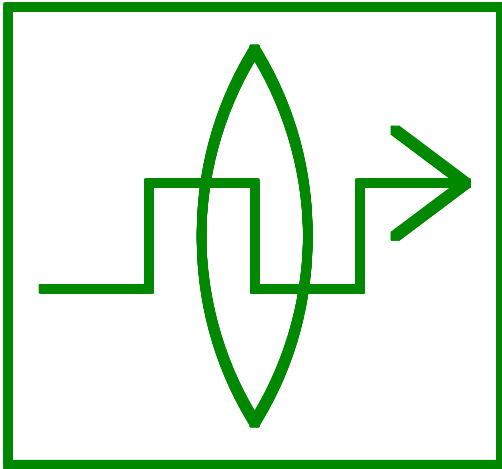


Look at the device from outside.

RX +12V regulated



Look at the device from outside.



RONJA

Pinouts for Twister2

TITLE				
FILE:	Licensed under GFDL		REVISION:	20060621
PAGE	1	OF	1	DRAWN BY: Clock