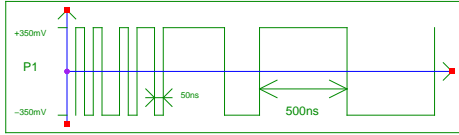
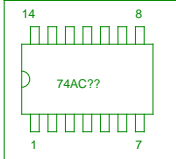
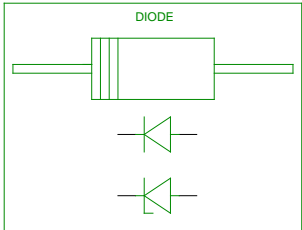
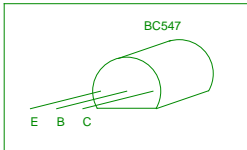
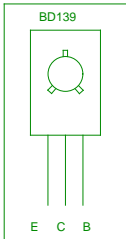


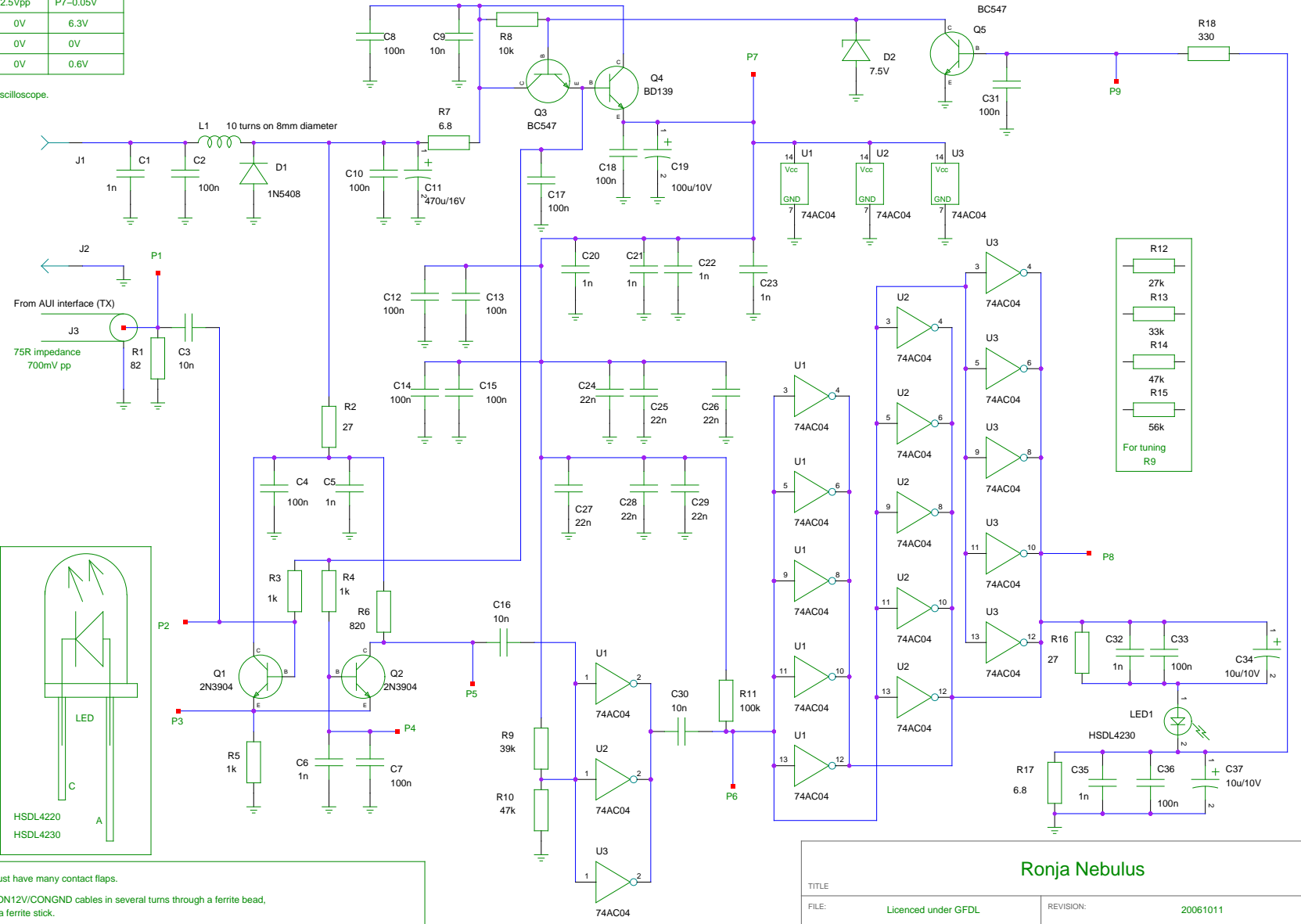
With signal at CON1		Without signal at CON1			
	AC	DC			
P1	700mVpp	0V	P1	0V	0V
P2	700mVpp	P7+0.8V	P2	0V	P7+0.8V
P3	<100mVpp	P7	P3	0V	P7
P4	0V	P7+0.8V	P4	0V	P7+0.8V
P5	4.2Vpp	9.9V	P5	0V	undef.
P6	2.5Vpp	P7/2+0.5V	P6	2.5Vpp	P7-0.05V
P7	<0.15V	3-6V	P7	0V	6.3V
P8	1.8V	3.2V	P8	0V	0V
P9	0V	0.6V	P9	0V	0.6V



AC values to be ignored by ordinary user – they are for oscilloscope.  
They are so fast that multimeter doesn't show them.



The shielding lid must have many contact flaps.  
Lead CON1 and CON12V/CONGND cables in several turns through a ferrite bead, ring, pot or around a ferrite stick.



- R12 27k
  - R13 33k
  - R14 47k
  - R15 56k
- For tuning R9