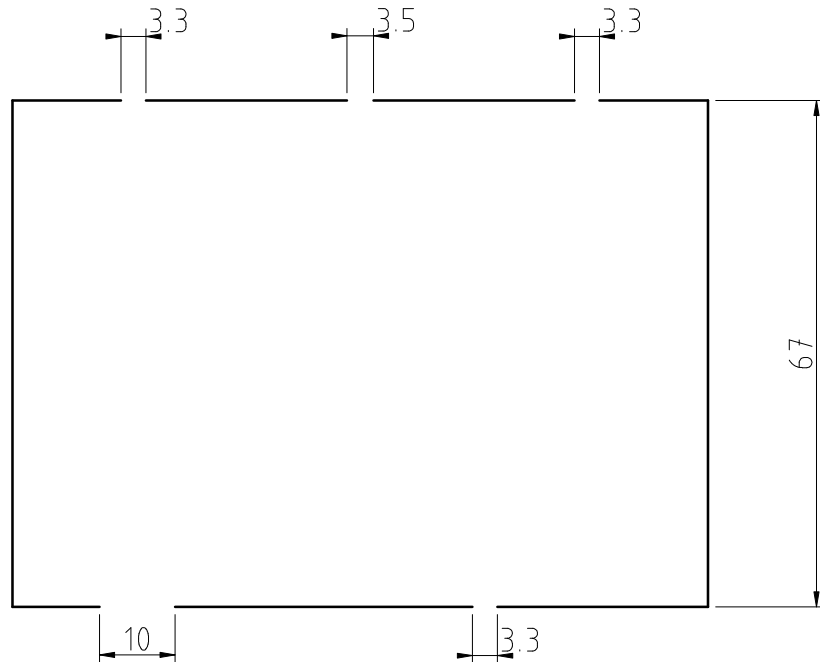


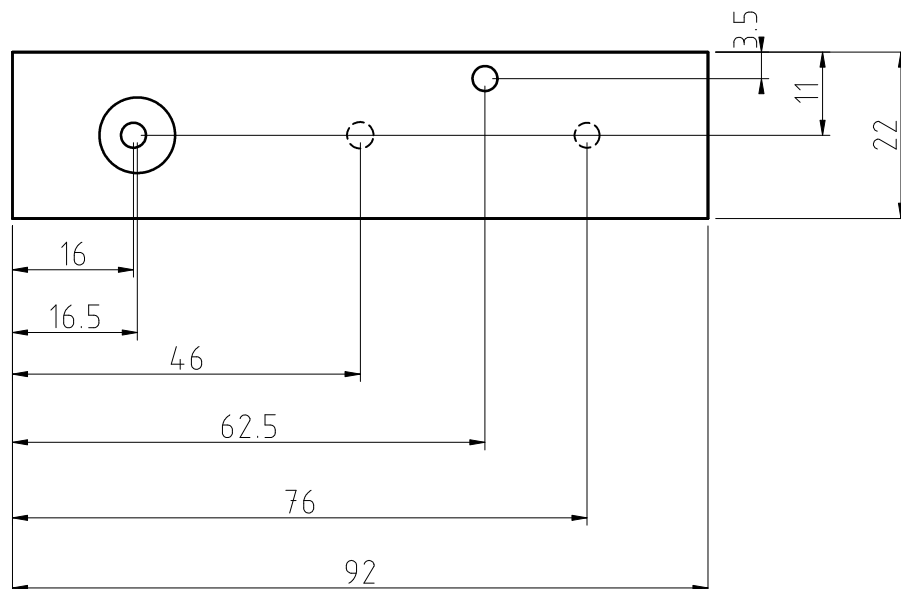
Transmitter box

"Front"



1:1

"Rear"



Material: tin-plated steel tin