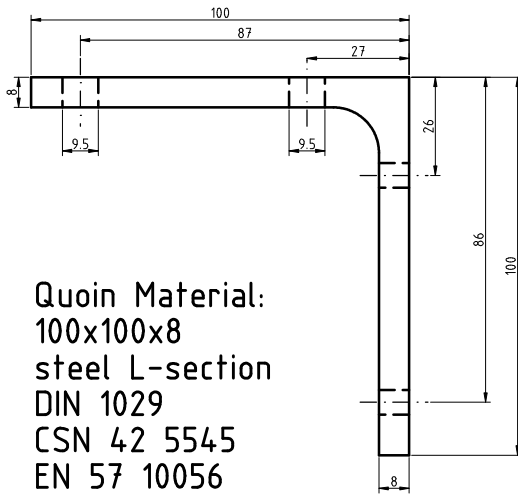
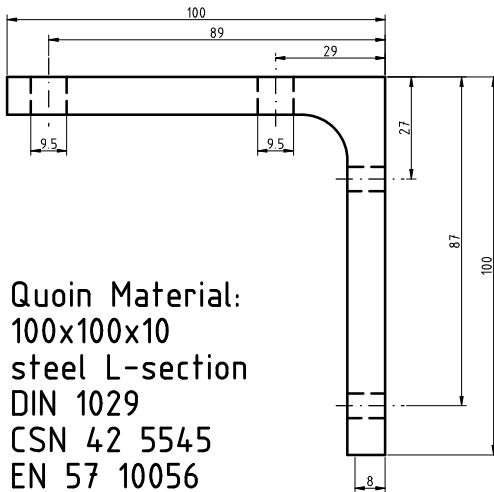
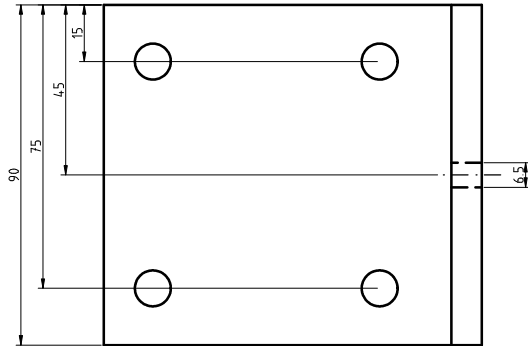


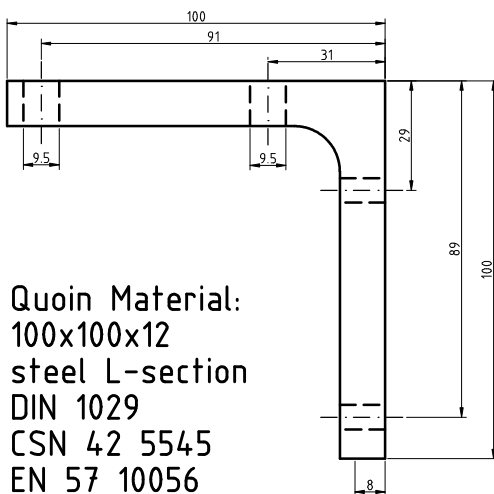
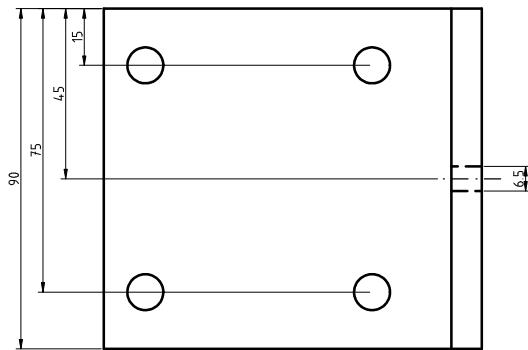
# Quoin - 8, 10, 12mm thick



Quoin Material:  
100x100x8  
steel L-section  
DIN 1029  
CSN 42 5545  
EN 57 10056



Quoin Material:  
100x100x10  
steel L-section  
DIN 1029  
CSN 42 5545  
EN 57 10056



Quoin Material:  
100x100x12  
steel L-section  
DIN 1029  
CSN 42 5545  
EN 57 10056

