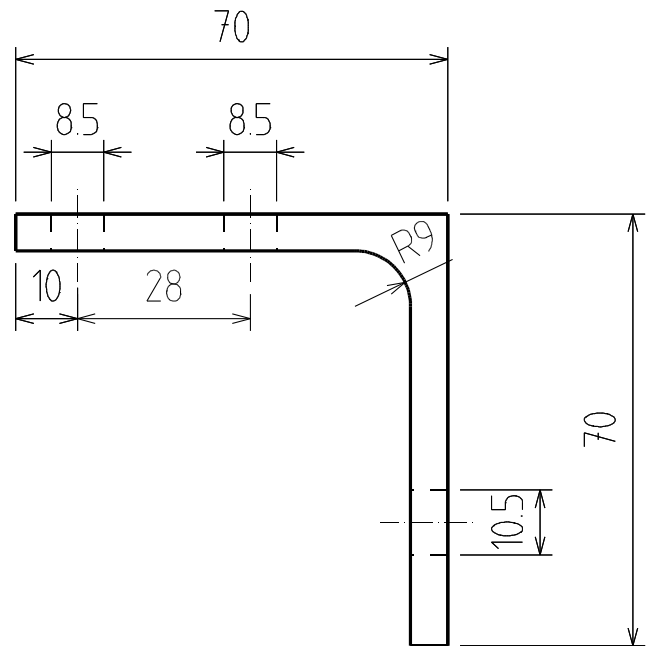


Perpendicular Console

Material: Flange
70x70x6
steel L-section
DIN 1028
CSN 42 5541
EN 57 10056



Measure the 20mm on the other piece from the other side

