

Cross Block

Material: 25x25
solid steel

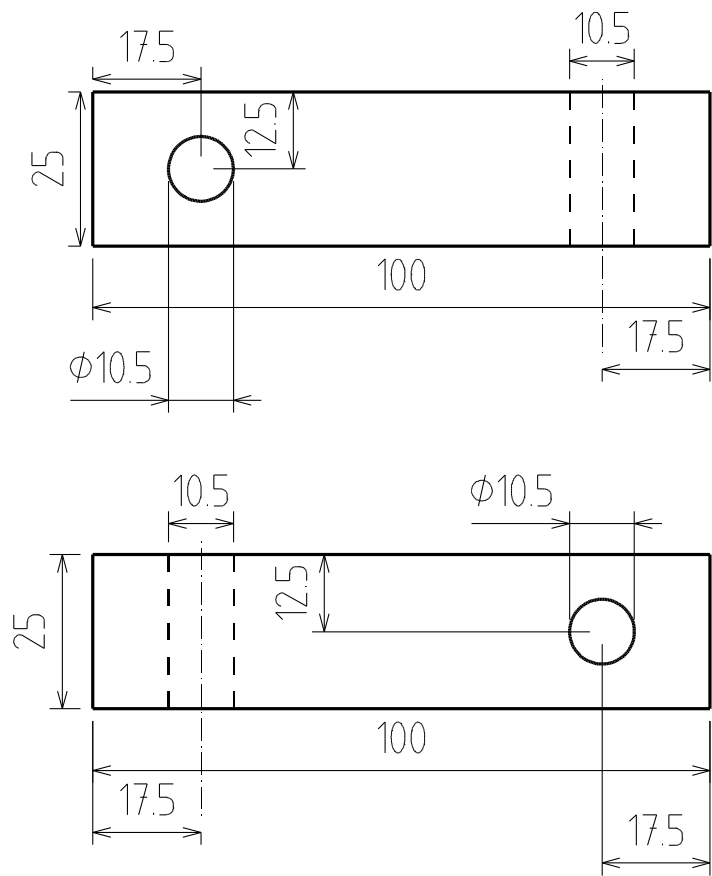


Plate Block

Material: 25x25
solid steel

