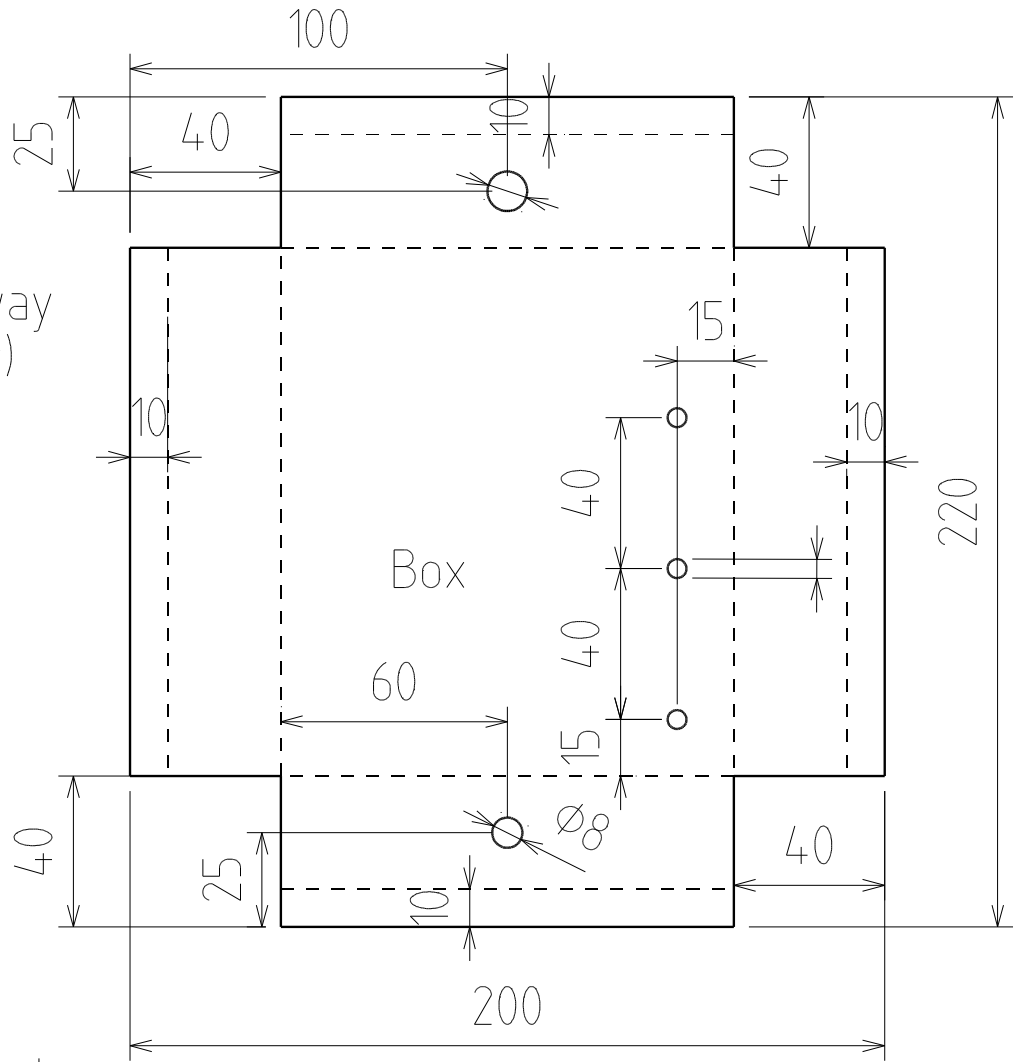
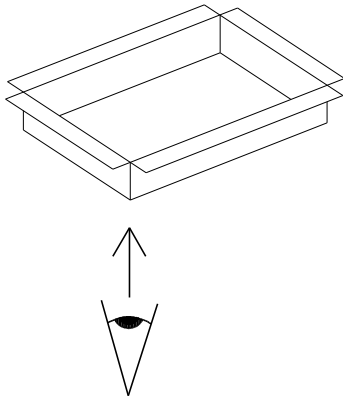


AUI Interface Box & Lid

View from outside
(bend the flaps away
from the observer)



Material: tin plated
0.5-0.7mm steel tin

