

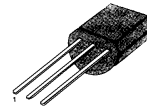
3-TERMINAL 0.1A POSITIVE VOLTAGE REGULATORS

The MC78LXX series of fixed voltage monolithic integrated circuit voltage regulators are suitable for application that required supply up to 100mA.

FEATURES

- Maximum Output Current of 100mA
- Output Voltage of 5V, 6V, 8V, 9V, 10V, 12V, 15V, 18V and 24V
- Thermal Overload Protection
- Short Circuit Current Limiting
- Output Voltage Offered in $\pm 5\%$ Tolerance

TO-92



1: Output 2: GND 3: Input

8 SOP

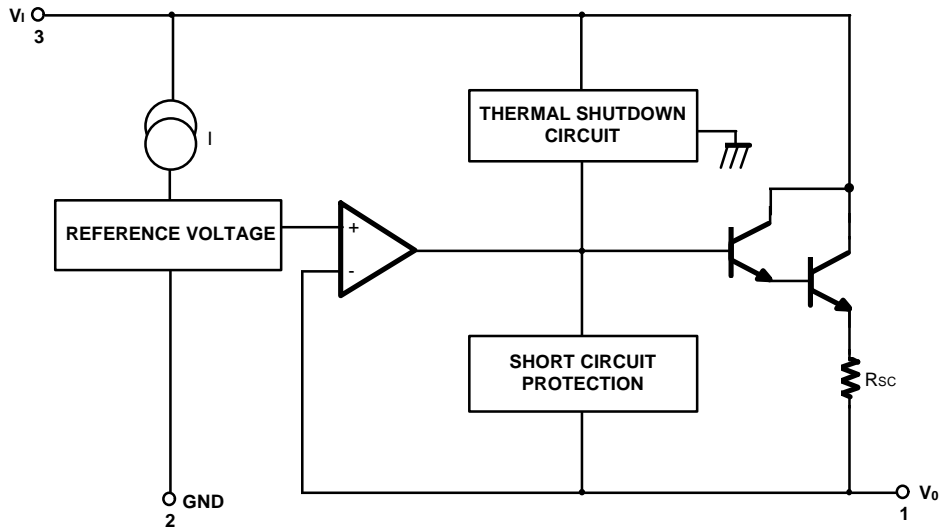


1: Output 2: GND 3: GND 4: NC
5: NC 6: GND 7: GND 8: Input

ORDERING INFORMATION

Device	Package	Operating Temperature
MC78LXXACP (LM78LXXACZ) (KA78LXXAZ)	TO-92	- 45 ~ + 125°C
MC78LXXACD (KA78LXXAD)	8 SOP	0 ~ + 125°C

BLOCK DIAGRAM



ABSOLUTE MAXIMUM RATINGS ($T_A = 25^\circ\text{C}$, unless otherwise specified)

Characteristic	Symbol	Value	Unit
Input Voltage (for $V_O = 5\text{V}, 8\text{V}$) (for $V_O = 12\text{V}, 15\text{V}$)	V_I	30 35	V V
Operating Junction Temperature Range	T_J	0 ~ +150	$^\circ\text{C}$
Storage Temperature Range	T_{STG}	-65 ~ +150	$^\circ\text{C}$

LM78L05 ELECTRICAL CHARACTERISTICS

($V_I = 10\text{V}$, $I_O = 40\text{mA}$, $0^\circ\text{C} \leq T_J \leq 125^\circ\text{C}$, $C_I = 0.33\ \mu\text{F}$, $C_O = 0.1\ \mu\text{F}$, unless otherwise specified. (Note 1))

Characteristic	Symbol	Test Conditions	Min	Typ	Max	Unit
Output Voltage	V_O	$T_J = 25^\circ\text{C}$	4.8	5.0	5.2	V
Line Regulation	ΔV_O	$T_J = 25^\circ\text{C}$	$7\text{V} \leq V_I \leq 20\text{V}$	8	150	mV
			$8\text{V} \leq V_I \leq 20\text{V}$	6	100	mV
Load Regulation	ΔV_O	$T_J = 25^\circ\text{C}$	$1\text{mA} \leq I_O \leq 100\text{mA}$	11	60	mV
			$1\text{mA} \leq I_O \leq 40\text{mA}$	5.0	30	mV
Output Voltage	V_O	$7\text{V} \leq V_I \leq 0\text{V}$ $7\text{V} \leq V_I \leq V_{MAX}$ (Note 2)	$1\text{mA} \leq I_O \leq 40\text{mA}$		5.25	V
			$1\text{mA} \leq I_O \leq 70\text{mA}$	4.75	5.25	V
Quiescent Current	I_Q	$T_J = 25^\circ\text{C}$		2.0	5.5	mA
Quiescent Current	with line	ΔI_Q	$8\text{V} \leq V_I \leq 20\text{V}$		1.5	mA
Change	with load	ΔI_Q	$1\text{mA} \leq I_O \leq 40\text{mA}$		0.1	mA
Output Noise Voltage	V_N	$T_A = 25^\circ\text{C}$, $10\text{Hz} \leq f \leq 100\text{KHz}$		40		$\mu\text{V}/V_O$
Temperature Coefficient of V_O	$\Delta V_O/\Delta T$	$I_O = 5\text{mA}$		-0.65		$\text{mV}/^\circ\text{C}$
Ripple Rejection	RR	$f = 120\text{Hz}$, $8\text{V} \leq V_I \leq 18\text{V}$, $T_J = 25^\circ\text{C}$	41	80		dB
Dropout Voltage	V_D	$T_J = 25^\circ\text{C}$		1.7		V

LM78L06 ELECTRICAL CHARACTERISTICS(V_I = 12V, I_O = 40mA, 0°C ≤ T_J ≤ 125°C, C_I = 0.33μF, C_O = 0.1μF, unless otherwise specified. (Note 1))

Characteristic	Symbol	Test Conditions	Min	Typ	Max	Unit	
Output Voltage	V _O	T _J = 25°C	5.75	6.0	6.25	V	
Line Regulation	ΔV _O	T _J = 25°C	8.5V < V _I < 20V		64	175	mV
			9V ≥ V _I ≥ 20V		54	125	mV
Load Regulation	ΔV _O	T _J = 25°C	1mA < I _O < 100mA		12.8	80	mV
			1mA < I _O < 70mA		5.8	40	mV
Output Voltage	V _O	8.5 < V _I < 20V, 1mA < I _O < 40mA	5.7		6.3	V	
		8.5 < V _I < V _{MAX} (Note), 1mA < I _O < 70mA	5.7		6.3		
Quiescent Current	I _O	T _J = 25°C		3.9	6.0	mA	
		T _J = 125°C			5.5		
Quiescent Current Change	with line	ΔI _O	9 < V _I < 20V		1.5	mA	
	with load	ΔI _O	1mA < I _O < 40mA		0.1		
Output Noise Voltage	V _N	T _A = 25°C, 10Hz < f < 100KHz		40		μV/V _O	
Temperature Coefficient of V _O	ΔV _O /ΔT	I _O = 5mA		0.75		mV/°C	
Ripple Rejection	RR	f = 120Hz, 10V < V _I < 20V, T _J = 25°C	40	46		dB	
Dropout Voltage	V _D	T _J = 25°C		1.7		V	

LM78L08 ELECTRICAL CHARACTERISTICS(V_I = 14V, I_O = 40mA, 0°C ≤ T_J ≤ 125°C, C_I = 0.33 μF, C_O = 0.1μF, unless otherwise specified. (Note 1))

Characteristic	Symbol	Test Conditions	Min	Typ	Max	Unit	
Output Voltage	V _O	T _J = 25°C	7.7	8.0	8.3	V	
Line Regulation	ΔV _O	T _J = 25°C	10.5V ≤ V _I ≤ 23V		10	175	mV
			11V ≤ V _I ≤ 23V		8	125	mV
Load Regulation	ΔV _O	T _J = 25°C	1mA ≤ I _O ≤ 100mA		15	80	mV
			1mA ≤ I _O ≤ 40mA		8.0	40	mV
Output Voltage	V _O	10.5V ≤ V _I ≤ 23V	1mA ≤ I _O ≤ 40mA	7.6		8.4	V
		10.5V ≤ V _I ≤ V _{MAX} (Note 2)	1mA ≤ I _O ≤ 70mA	7.6		8.4	V
Quiescent Current	I _O	T _J = 25°C		2.0	5.5	mA	
Quiescent Current Change	with line	ΔI _O	11V ≤ V _I ≤ 23V		1.5	mA	
	with load	ΔI _O	1mA ≤ I _O ≤ 40mA		0.1		
Output Noise Voltage	V _N	T _A = 25°C, 10Hz ≤ f ≤ 100KHz		60		μV/V _O	
Temperature Coefficient of V _O	ΔV _O /ΔT	I _O = 5mA		-0.8		mV/°C	
Ripple Rejection	RR	f = 120Hz, 11V ≤ V _I ≤ 21V, T _J = 25°C	39	70		dB	
Dropout Voltage	V _D	T _J = 25°C		1.7		V	

LM78L09 ELECTRICAL CHARACTERISTICS(V_I = 15V, I_O = 40mA, 0°C ≤ T_J ≤ 125°C, C_I = 0.33 μF, C_O = 0.1μF, unless otherwise specified. (Note 1))

Characteristic		Symbol	Test Conditions	Min	Typ	Max	Unit	
Output Voltage		V _O	T _J = 25 °C	8.64	9.0	9.36	V	
Line Regulation		ΔV _O	T _J = 25 °C	11.5V ≤ V _I ≤ 24V		90	200	mV
				13V ≤ V _I ≤ 24V		100	150	mV
Load Regulation		ΔV _O	T _J = 25 °C	1mA ≤ I _O ≤ 100mA		20	90	mV
				1mA ≤ I _O ≤ 40mA		10	45	mV
Output Voltage		V _O	11.5V ≤ V _I ≤ 24V	1mA ≤ I _O ≤ 40mA	8.55		9.45	V
			11.5V ≤ V _I ≤ V _{MAX} (Note 2)	1mA ≤ I _O ≤ 70mA	8.55		9.45	V
Quiescent Current		I _O	T _J = 25 °C		2.1	6.0	mA	
Quiescent Current Change	with line	ΔI _O	13V ≤ V _I ≤ 24V			1.5	mA	
	with load	ΔI _O	1mA ≤ I _O ≤ 40mA			0.1	mA	
Output Noise Voltage		V _N	T _A = 25 °C, 10Hz ≤ f ≤ 100KHz		70		μV/V _O	
Temperature Coefficient of V _O		ΔV _O /ΔT	I _O = 5mA		-0.9		mV/°C	
Ripple Rejection		RR	f = 120Hz, 12V ≤ V _I ≤ 22V, T _J = 25 °C	38	44		dB	
Dropout Voltage		V _D	T _J = 25 °C		1.7		V	

LM78L10 ELECTRICAL CHARACTERISTICS(V_I = 16V, I_O = 40mA, 0°C < T_J < 125°C, C_I = 0.33 μF, C_O = 0.1μF, unless otherwise specified. (Note 1))

Characteristic		Symbol	Test Conditions	Min	Typ	Max	Unit	
Output Voltage		V _O	T _J = 25 °C	9.6	10.0	10.4	V	
Line Regulation		ΔV _O	T _J = 25 °C	12.5 < V _I < 25V		100	220	mV
				14V ≥ V _I ≥ 25V		100	170	mV
Load Regulation		ΔV _O	T _J = 25 °C	1mA < I _O < 100mA		20	94	mV
				1mA < I _O < 70mA		10	47	mV
Output Voltage		V _O	12.5 < V _I < 25V, 1mA < I _O < 40mA	9.5		10.5	V	
			12.5 < V _I < V _{MAX} (Note), 1mA < I _O < 70mA	9.5		10.5		
Quiescent Current		I _O	T _J = 25 °C		4.2	6.5	mA	
			T _J = 125 °C			6.0		
Quiescent Current Change	with line	ΔI _O	12.5 < V _I < 25V			1.5	mA	
	with load	ΔI _O	1mA < I _O < 40mA			0.1		
Output Noise Voltage		V _N	T _A = 25 °C, 10Hz < f < 100KHz		74		μV/V _O	
Temperature Coefficient of V _O		ΔV _O /ΔT	I _O = 5mA		0.95		mV/°C	
Ripple Rejection		RR	f = 120Hz, 15V < V _I < 25V, T _J = 25 °C	38	43		dB	
Dropout Voltage		V _D	T _J = 25 °C		1.7		V	

LM78L12 ELECTRICAL CHARACTERISTICS(V_I = 19V, I_O = 40mA, 0°C ≤ T_J ≤ 125°C, C_I = 0.33 μF, C_O = 0.1 μF, unless otherwise specified. (Note 1))

Characteristic		Symbol	Test Conditions	Min	Typ	Max	Unit
Output Voltage		V _O	T _J = 25°C	11.5	12	12.5	V
Line Regulation		ΔV _O	T _J = 25°C	14.5V ≤ V _I ≤ 27V	20	250	mV
				16V ≤ V _I ≤ 27V	15	200	mV
Load Regulation		ΔV _O	T _J = 25°C	1mA ≤ I _O ≤ 100mA	20	100	mV
				1mA ≤ I _O ≤ 40mA	10	50	mV
Output Voltage		V _O	14.5V ≤ V _I ≤ 27V	11.4		12.6	V
			14.5V ≤ V _I ≤ V _{MAX} (Note 2)	11.4		12.6	V
Quiescent Current		I _O	T _J = 25°C		2.1	6.0	mA
Quiescent Current Change	with line	ΔI _O	16V ≤ V _I ≤ 27V			1.5	mA
	with load	ΔI _O	1mA ≤ I _O ≤ 40mA			0.1	mA
Output Noise Voltage		V _N	T _A = 25°C, 10Hz ≤ f ≤ 100KHz		80		μV/V _O
Temperature Coefficient of V _O		ΔV _O /ΔT	I _O = 5mA		-1.0		mV/°C
Ripple Rejection		RR	f = 120Hz, 15V ≤ V _I ≤ 25V, T _J = 25°C	37	65		dB
Dropout Voltage		V _D	T _J = 25°C		1.7		V

LM78L15 ELECTRICAL CHARACTERISTICS(V_I = 23V, I_O = 40mA, 0°C ≤ T_J ≤ 125°C, C_I = 0.33 μF, C_O = 0.1 μF, unless otherwise specified. (Note 1))

Characteristic		Symbol	Test Conditions	Min	Typ	Max	Unit
Output Voltage		V _O	T _J = 25°C	14.4	15	15.6	V
Line Regulation		ΔV _O	T _J = 25°C	17.5V ≤ V _I ≤ 30V	25	300	mV
				20V ≤ V _I ≤ 30V	20	250	mV
Load Regulation		ΔV _O	T _J = 25°C	1mA ≤ I _O ≤ 100mA	25	150	mV
				1mA ≤ I _O ≤ 40mA	12	75	mV
Output Voltage		V _O	17.5V ≤ V _I ≤ 30V	14.25		15.75	V
			17.5V ≤ V _I ≤ V _{MAX} (Note 2)	14.25		15.75	V
Quiescent Current		I _O	T _J = 25°C		2.1	6.0	mA
Quiescent Current Change	with line	ΔI _O	20V ≤ V _I ≤ 30V			1.5	mA
	with load	ΔI _O	1mA ≤ I _O ≤ 40mA			0.1	mA
Output Noise Voltage		V _N	T _A = 25°C, 10Hz ≤ f ≤ 100KHz		90		μV/V _O
Temperature Coefficient of V _O		ΔV _O /ΔT	I _O = 5mA		-1.3		mV/°C
Ripple Rejection		RR	f = 120Hz, 18.5V ≤ V _I ≤ 28.5V, T _J = 25°C	34	60		dB
Dropout Voltage		V _D	T _J = 25°C		1.7		V

LM78L18 ELECTRICAL CHARACTERISTICS(V_I = 27V, I_O = 40mA, 0 °C ≤ T_J ≤ 125 °C, C_I = 0.33 μF, C_O = 0.1μF, unless otherwise specified. (Note 1))

Characteristic	Symbol	Test Conditions	Min	Typ	Max	Unit	
Output Voltage	V _O	T _J = 25 °C	17.3	18	18.7	V	
Line Regulation	ΔV _O	T _J = 25 °C	21V ≤ V _I ≤ 33V		145	300	mV
			22V ≤ V _I ≤ 33V		135	250	mV
Load Regulation	ΔV _O	T _J = 25 °C	1mA ≤ I _O ≤ 100mA		30	170	mV
			1mA ≤ I _O ≤ 40mA		15	85	mV
Output Voltage	V _O	21V ≤ V _I ≤ 33V	1mA ≤ I _O ≤ 40mA	17.1		18.9	V
		21V ≤ V _I ≤ V _{MAX} (Note 2)	1mA ≤ I _O ≤ 70mA	17.1		18.9	V
Quiescent Current	I _Q	T _J = 25 °C		2.2	6.0	mA	
Quiescent Current Change	with line	21V ≤ V _I ≤ 33V			1.5	mA	
	with load						ΔI _Q
Output Noise Voltage	V _N	T _A = 25 °C, 10Hz ≤ f ≤ 100KHz		150		μV/V _O	
Temperature Coefficient of V _O	ΔV _O /ΔT	I _O = 5mA		-1.8		mV/°C	
Ripple Rejection	RR	f = 120Hz, 23V ≤ V _I ≤ 33V, T _J = 25 °C	34	48		dB	
Dropout Voltage	V _D	T _J = 25 °C		1.7		V	

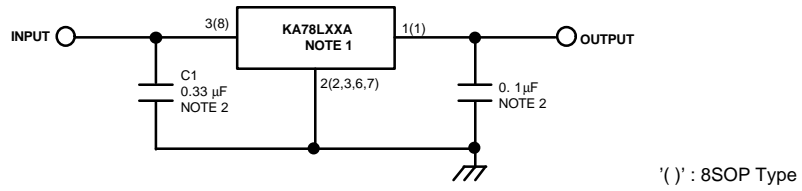
LM78L24 ELECTRICAL CHARACTERISTICS(V_I = 33V, I_O = 40mA, 0 °C ≤ T_J ≤ 125 °C, C_I = 0.33 μF, C_O = 0.1μF, unless otherwise specified. (Note 1))

Characteristic	Symbol	Test Conditions	Min	Typ	Max	Unit	
Output Voltage	V _O	T _J = 25 °C	23	24	25	V	
Line Regulation	ΔV _O	T _J = 25 °C	27V ≤ V _I ≤ 38V		160	300	mV
			28V ≤ V _I ≤ 38V		150	250	mV
Load Regulation	ΔV _O	T _J = 25 °C	1mA ≤ I _O ≤ 100mA		40	200	mV
			1mA ≤ I _O ≤ 40mA		20	100	mV
Output Voltage	V _O	27V ≤ V _I ≤ 38V	1mA ≤ I _O ≤ 40mA	22.8		25.2	V
		27V ≤ V _I ≤ V _{MAX} (Note 2)	1mA ≤ I _O ≤ 70mA	22.8		25.2	V
Quiescent Current	I _Q	T _J = 25 °C		2.2	6.0	mA	
Quiescent Current Change	with line	28V ≤ V _I ≤ 38V			1.5	mA	
	with load						ΔI _Q
Output Noise Voltage	V _N	T _A = 25 °C, 10Hz ≤ f ≤ 100KHz		200		μV/V _O	
Temperature Coefficient of V _O	ΔV _O /ΔT	I _O = 5mA		-2.0		mV/°C	
Ripple Rejection	RR	f = 120Hz, 28V ≤ V _I ≤ 38V, T _J = 25 °C	34	45		dB	
Dropout Voltage	V _D	T _J = 25 °C		1.7		V	

Notes

- The maximum steady state usable output current and input voltage are very dependent on the heat sinking and/or lead length of the package. The data above represent pulse test conditions with junction temperature as indicated at the initiation of tests.
- Power dissipation ≤ 0.75W.

TYPICAL APPLICATION



Notes

1. To specify an output voltage, substitute voltage value for "XX".
2. Bypass Capacitors are recommend for optimum stability and transient response and should be located as close as possible to the regulator

TRADEMARKS

The following are registered and unregistered trademarks Fairchild Semiconductor owns or is authorized to use and is not intended to be an exhaustive list of all such trademarks.

ACE _x TM	ISOPLANAR TM	TinyLogic TM
CoolFET TM	MICROWIRE TM	UHC TM
CROSSVOLT TM	POP TM	VCX TM
E ² CMOS TM	PowerTrench [®]	
FACT TM	QFET TM	
FACT Quiet Series TM	QS TM	
FAST [®]	Quiet Series TM	
FAST _r TM	SuperSOT TM -3	
GTO TM	SuperSOT TM -6	
HiSeC TM	SuperSOT TM -8	

DISCLAIMER

FAIRCHILD SEMICONDUCTOR RESERVES THE RIGHT TO MAKE CHANGES WITHOUT FURTHER NOTICE TO ANY PRODUCTS HEREIN TO IMPROVE RELIABILITY, FUNCTION OR DESIGN. FAIRCHILD DOES NOT ASSUME ANY LIABILITY ARISING OUT OF THE APPLICATION OR USE OF ANY PRODUCT OR CIRCUIT DESCRIBED HEREIN; NEITHER DOES IT CONVEY ANY LICENSE UNDER ITS PATENT RIGHTS, NOR THE RIGHTS OF OTHERS.

LIFE SUPPORT POLICY

FAIRCHILD'S PRODUCTS ARE NOT AUTHORIZED FOR USE AS CRITICAL COMPONENTS IN LIFE SUPPORT DEVICES OR SYSTEMS WITHOUT THE EXPRESS WRITTEN APPROVAL OF FAIRCHILD SEMICONDUCTOR CORPORATION.
As used herein:

1. Life support devices or systems are devices or systems which, (a) are intended for surgical implant into the body, or (b) support or sustain life, or (c) whose failure to perform when properly used in accordance with instructions for use provided in the labeling, can be reasonably expected to result in significant injury to the user.
2. A critical component is any component of a life support device or system whose failure to perform can be reasonably expected to cause the failure of the life support device or system, or to affect its safety or effectiveness.

PRODUCT STATUS DEFINITIONS

Definition of Terms

Datasheet Identification	Product Status	Definition
Advance Information	Formative or In Design	This datasheet contains the design specifications for product development. Specifications may change in any manner without notice.
Preliminary	First Production	This datasheet contains preliminary data, and supplementary data will be published at a later date. Fairchild Semiconductor reserves the right to make changes at any time without notice in order to improve design.
No Identification Needed	Full Production	This datasheet contains final specifications. Fairchild Semiconductor reserves the right to make changes at any time without notice in order to improve design.
Obsolete	Not In Production	This datasheet contains specifications on a product that has been discontinued by Fairchild semiconductor. The datasheet is printed for reference information only.