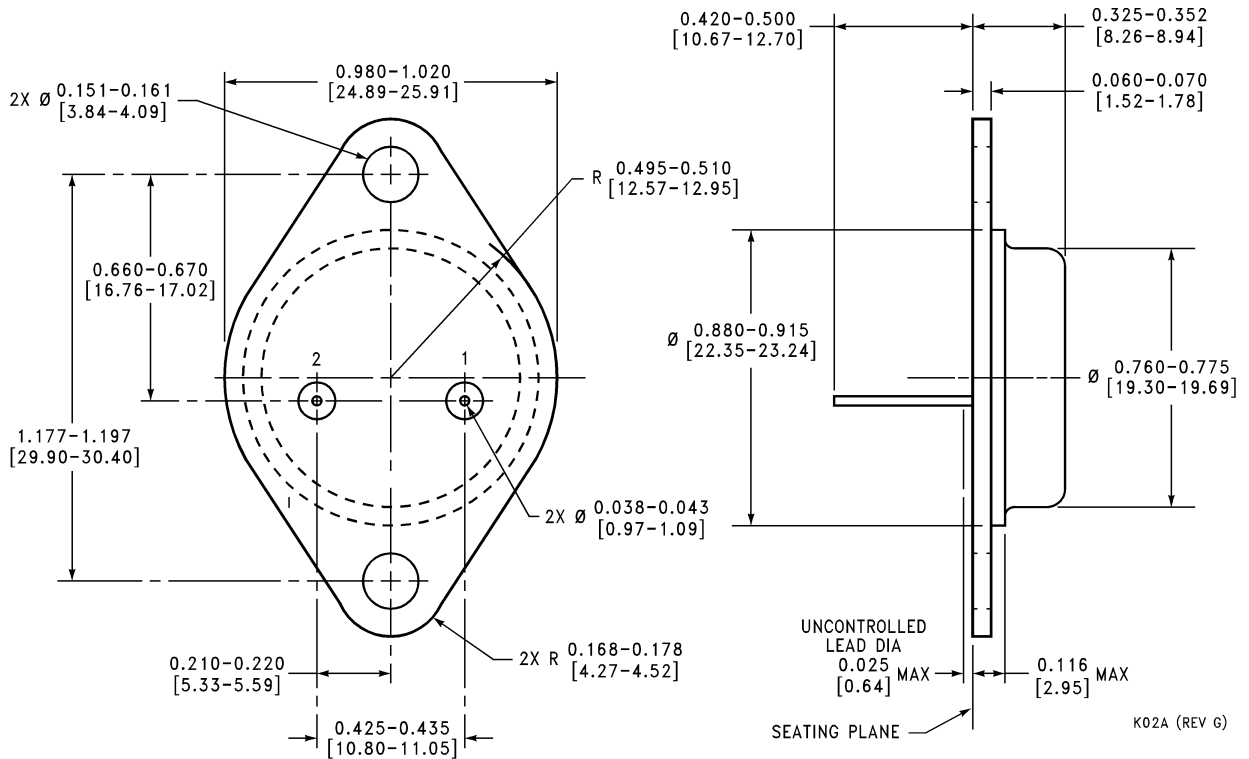


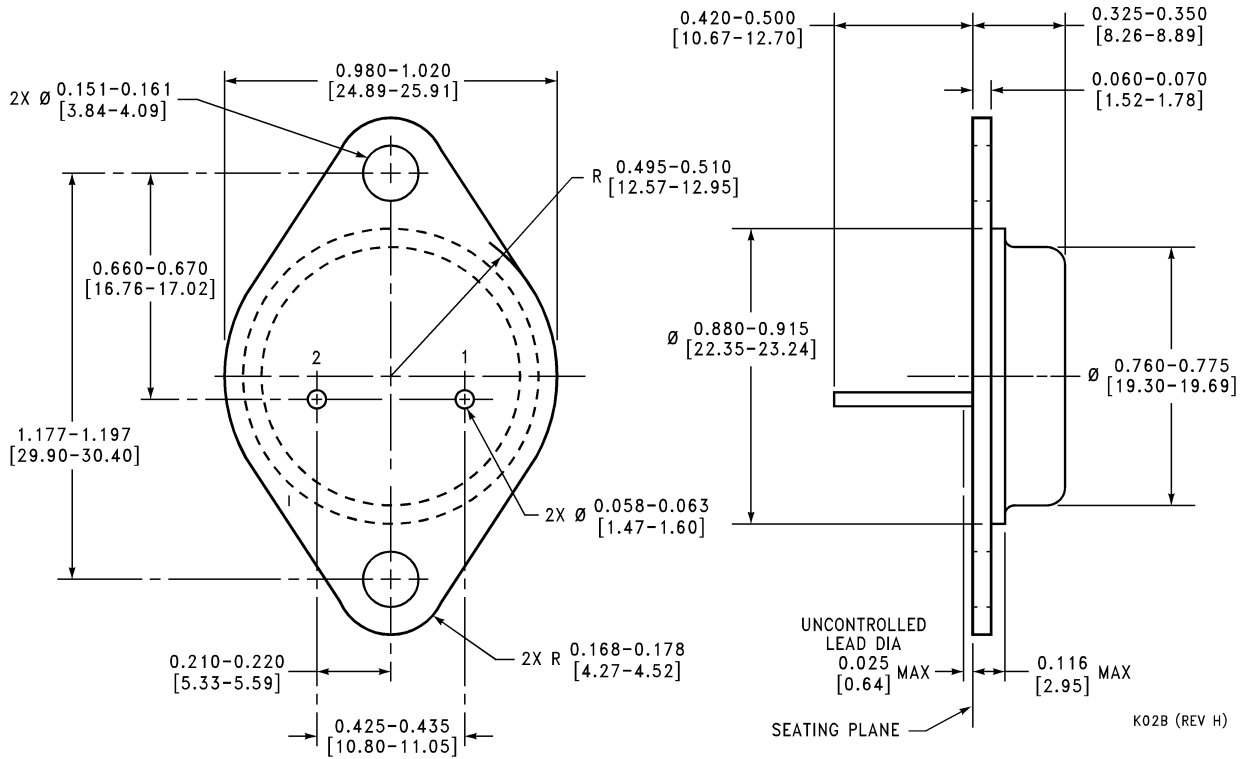
Metal Can Packages (TO-3/5/8/18/39/46/52/72)

2 Lead TO-3 Metal Can Package NS Package Number K02A

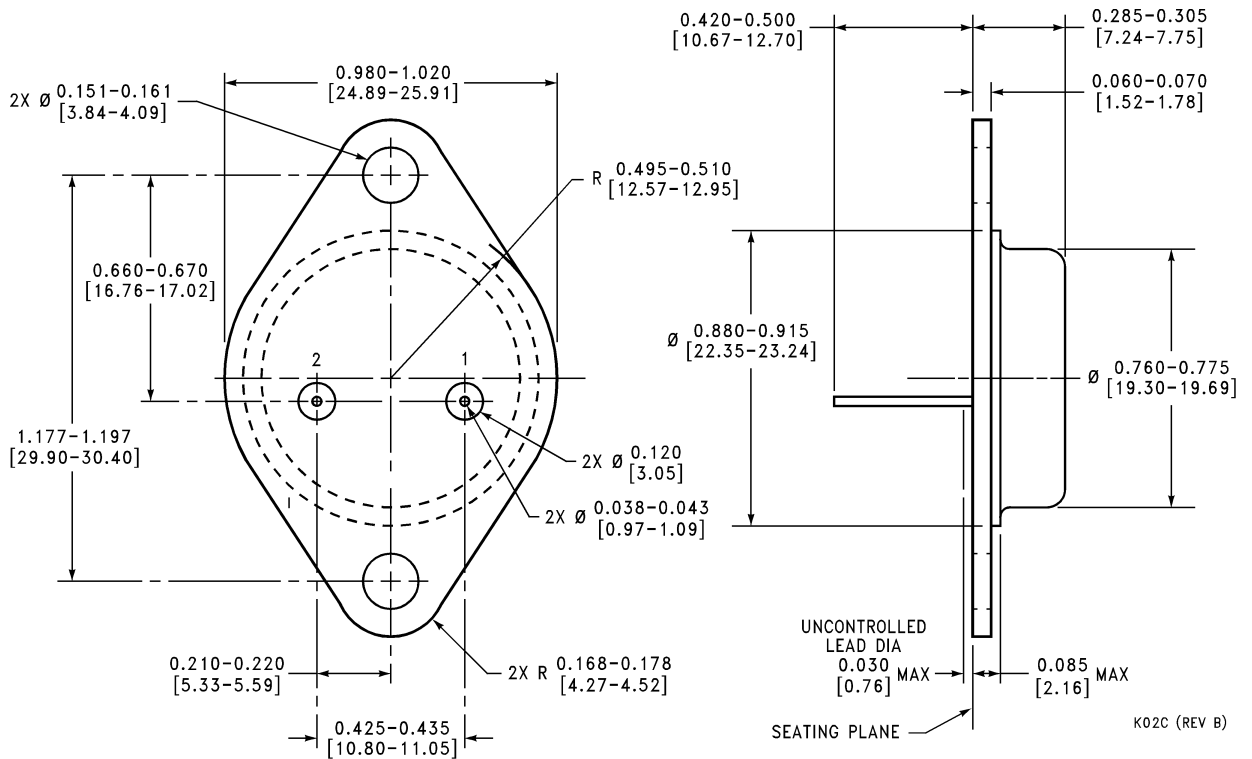


Metal Can Packages (TO-3/5/8/18/39/46/52/72)

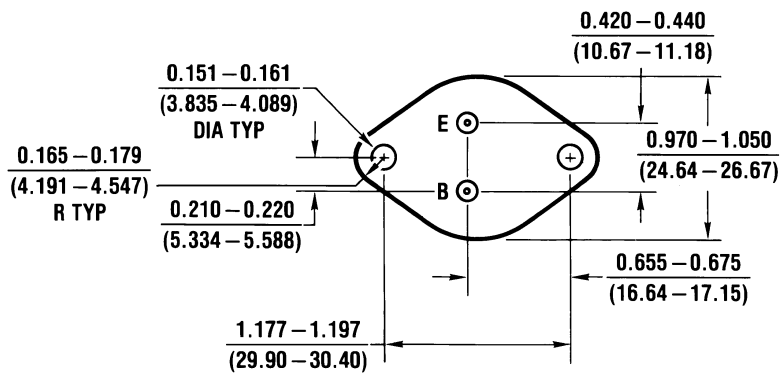
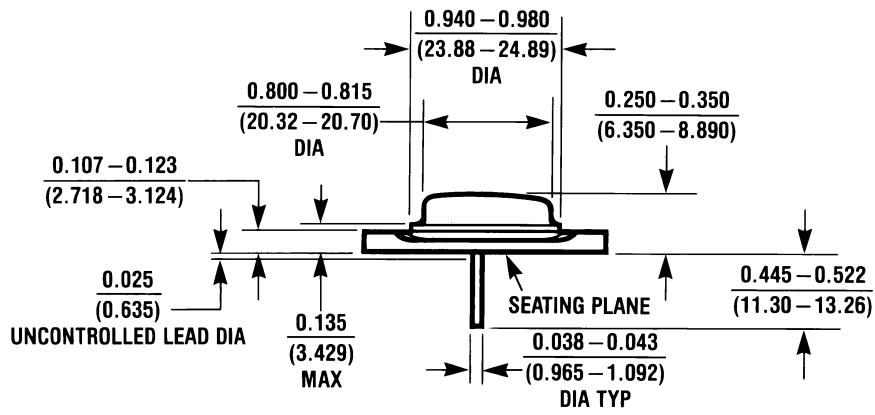
2 Lead (0.060" Lead Diameter) TO-3 Metal Can Package NS Package Number K02B



2 Lead TO-3 Metal Can Package, Low Profile NS Package Number K02C

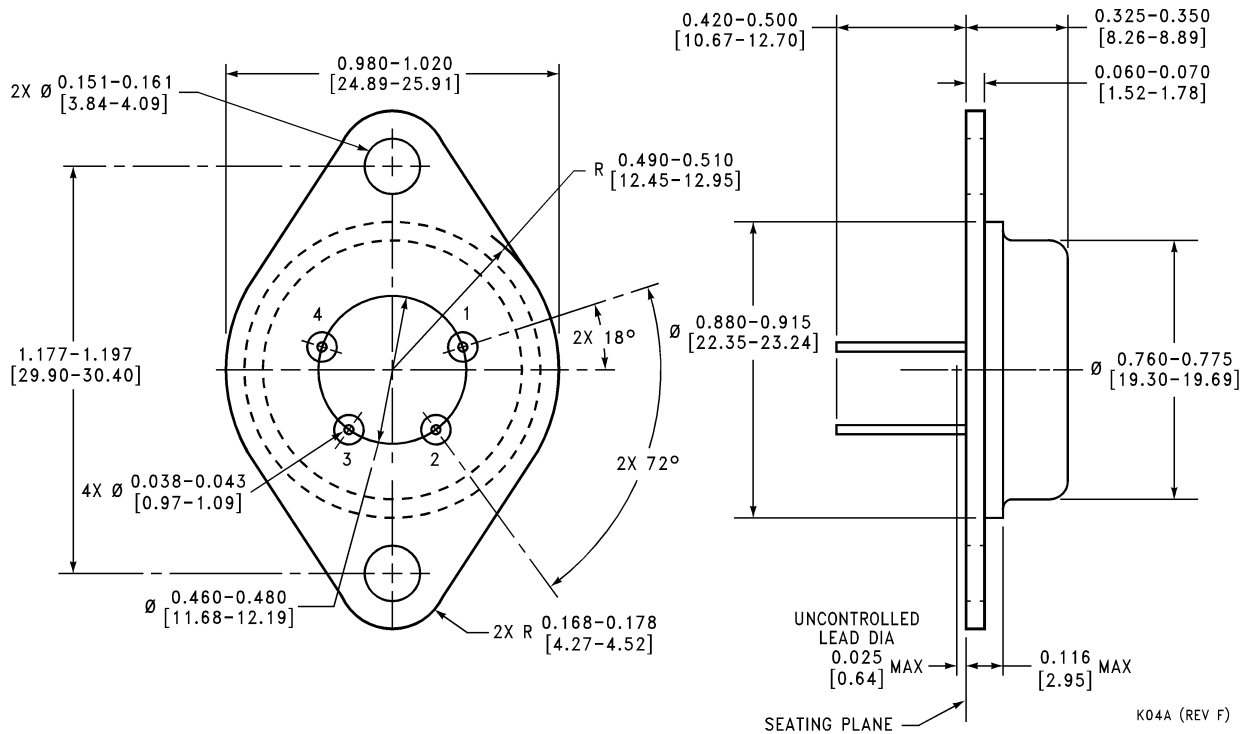


2 Lead TO-3 Metal Can Package, Aluminum NS Package Number KC02A

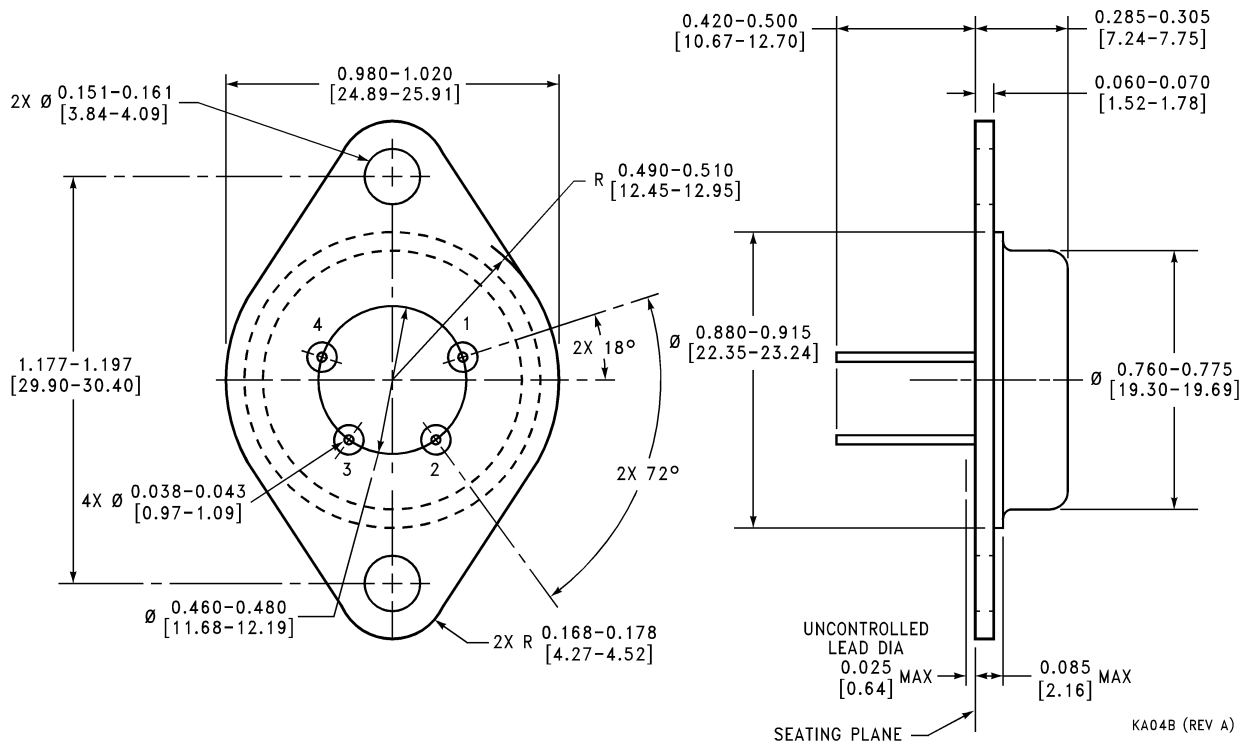


KC02A (REV C)

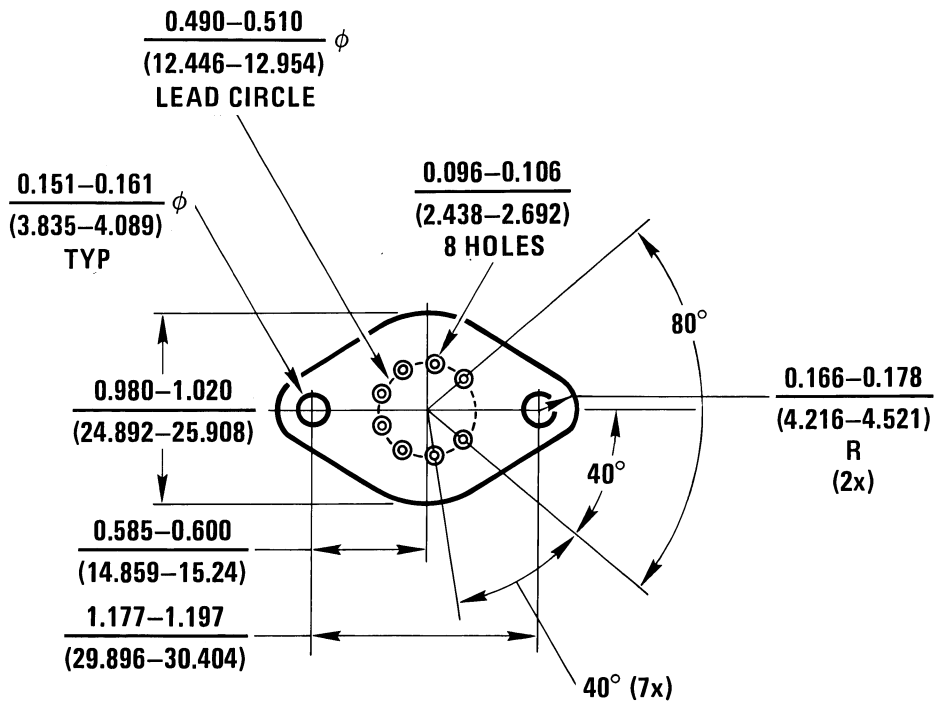
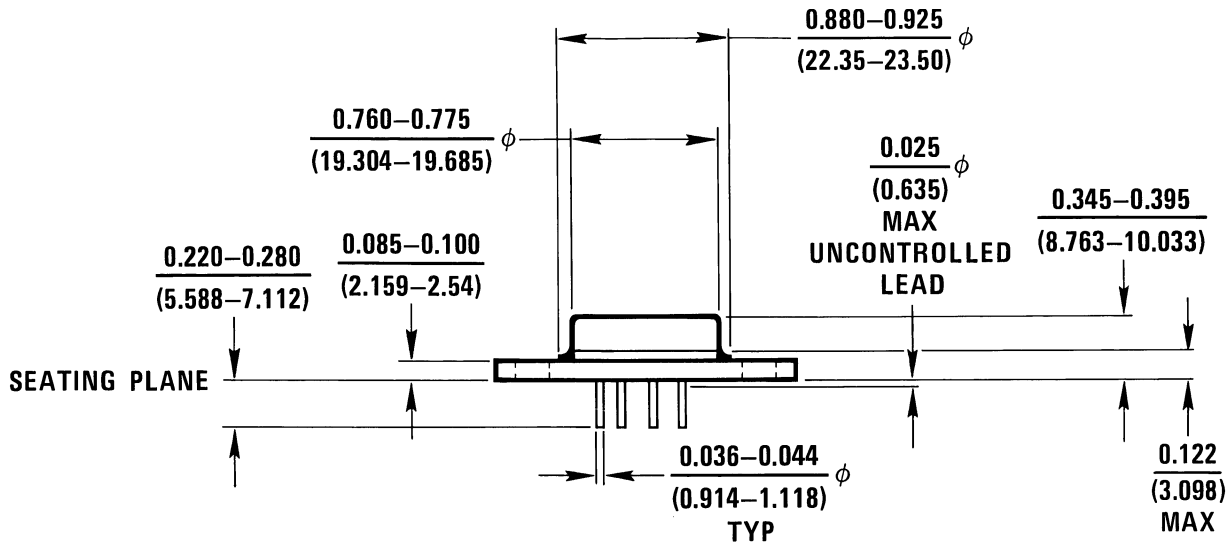
4 Lead TO-3 Metal Can Package NS Package Number K04A



4 Lead TO-3 Metal Can Package, Low Profile NS Package Number KA04B

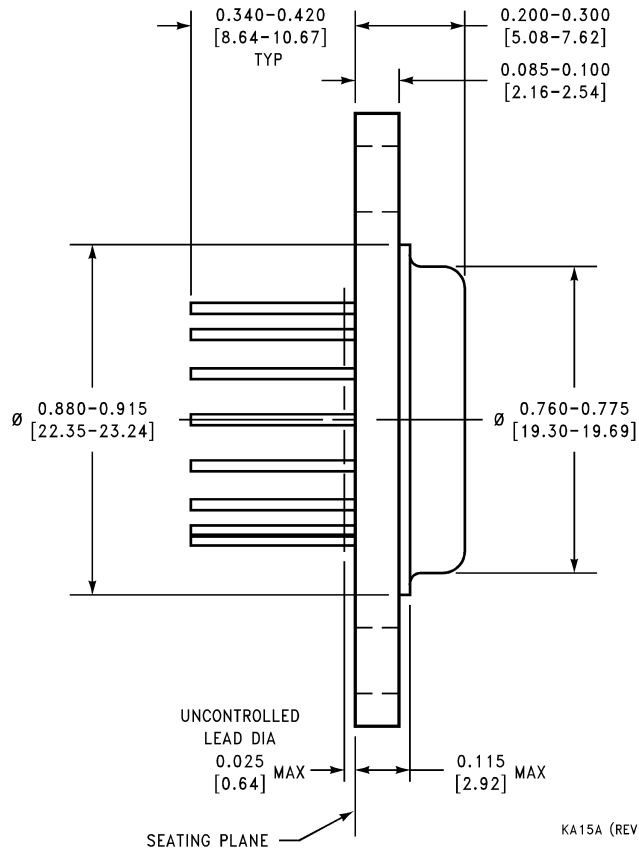
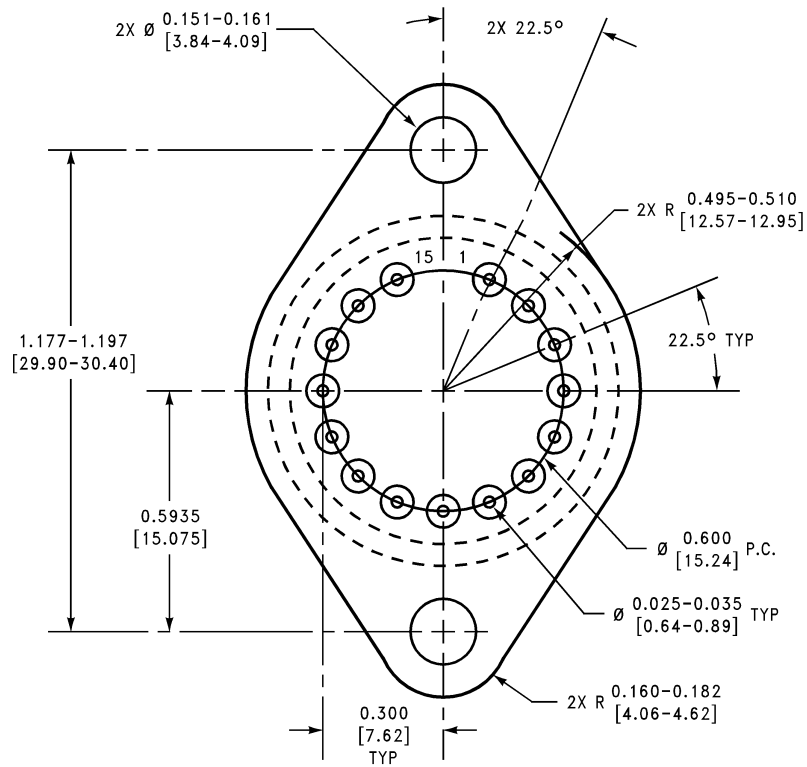


8 Lead TO-3 Metal Can Package NS Package Number K08A



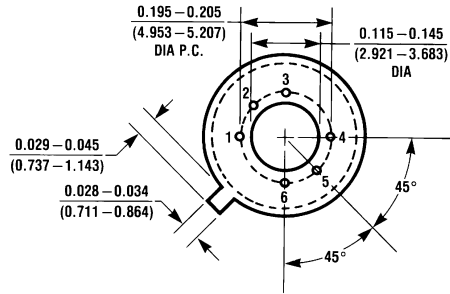
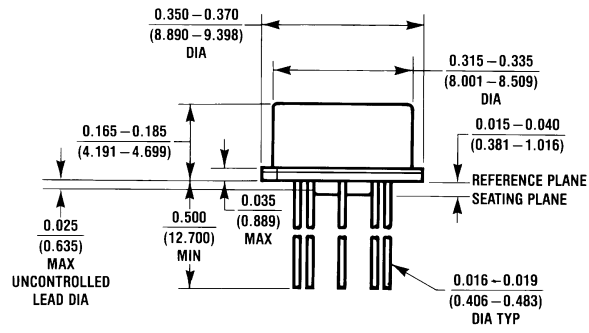
K08A (REV C)

15 Lead TO-3 Metal Can Package NS Package Number KA15A



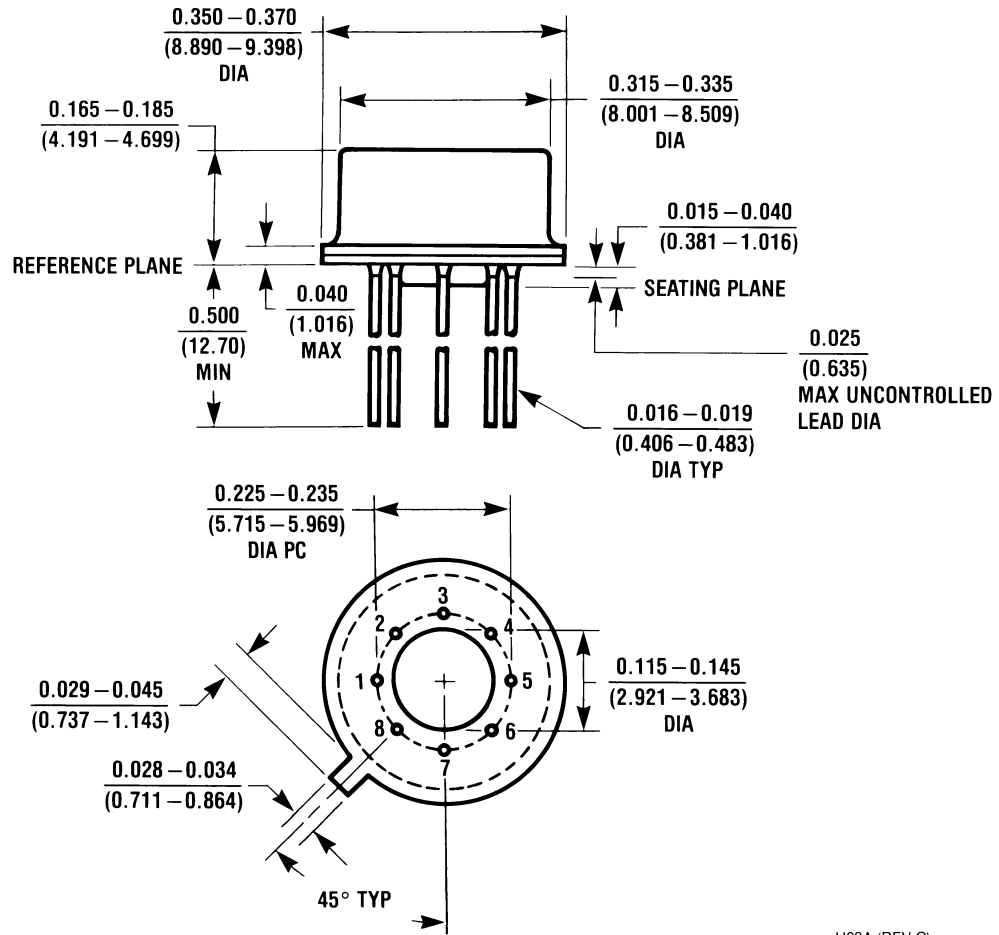
KA15A (REV A)

6 Lead (0.200" Diameter P.C.) TO-5 Metal Can Package NS Package Number H06C



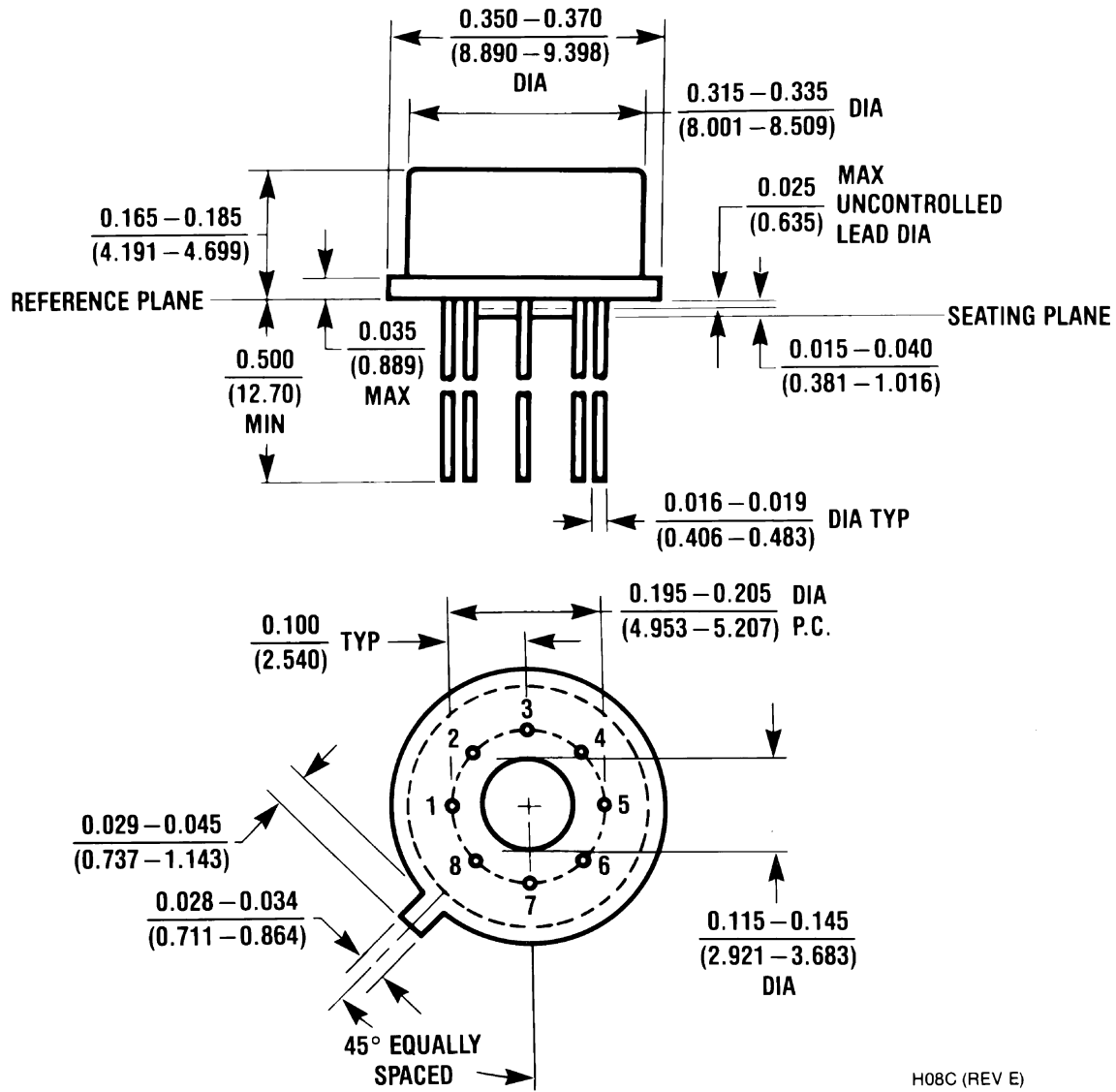
H06C (REV D)

8 Lead (0.230" Diameter P.C.) TO-5 Metal Can Package NS Package Number H08A



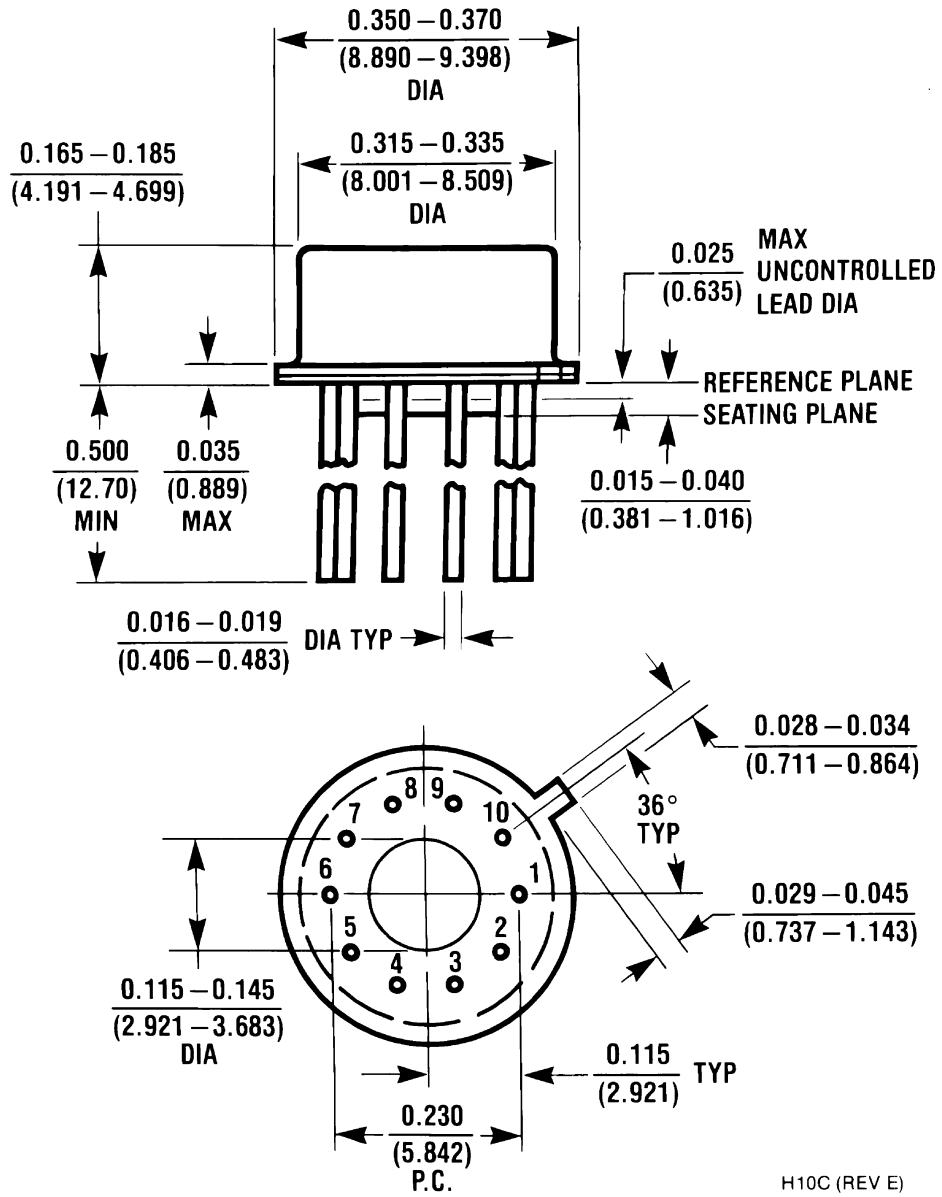
H08A (REV C)

8 Lead (0.200" Diameter P.C.) TO-5 Metal Can Package NS Package Number H08C



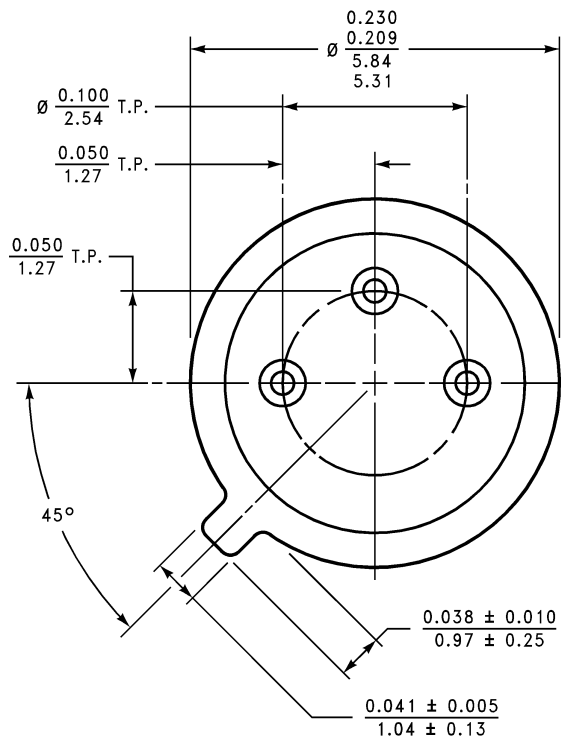
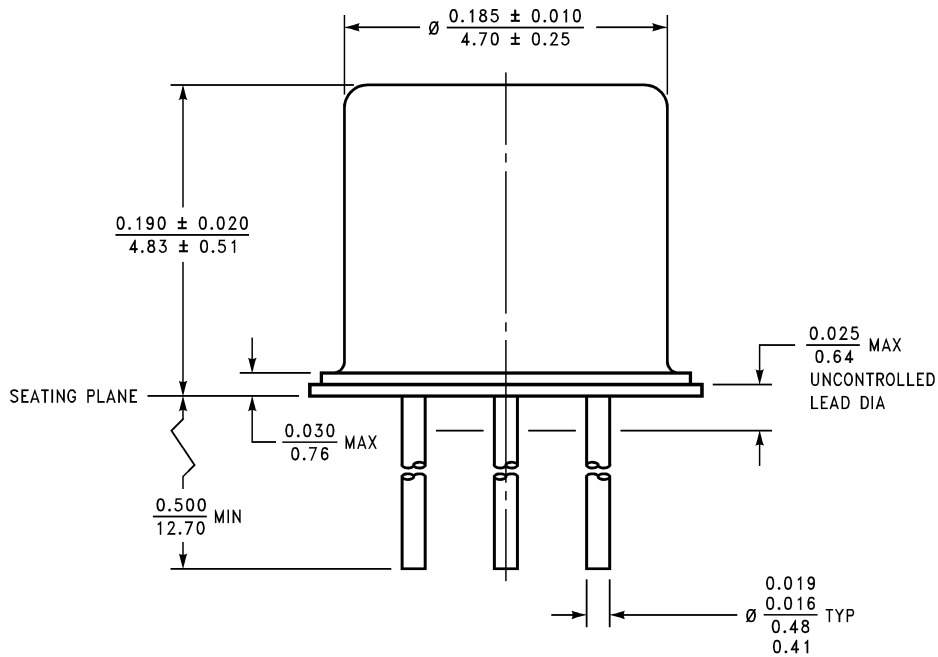
H08C (REV E)

10 Lead (0.230" Diameter P.C.) TO-5 Metal Can Package NS Package Number H10C



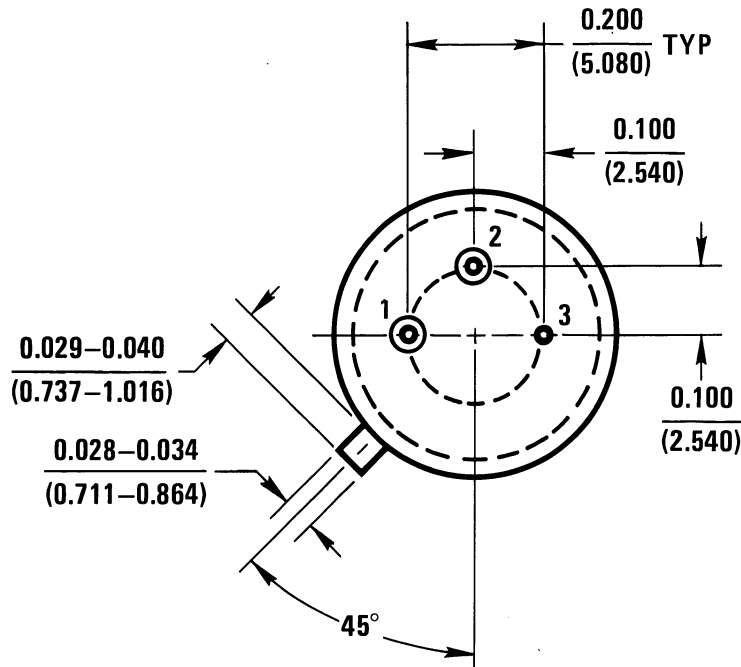
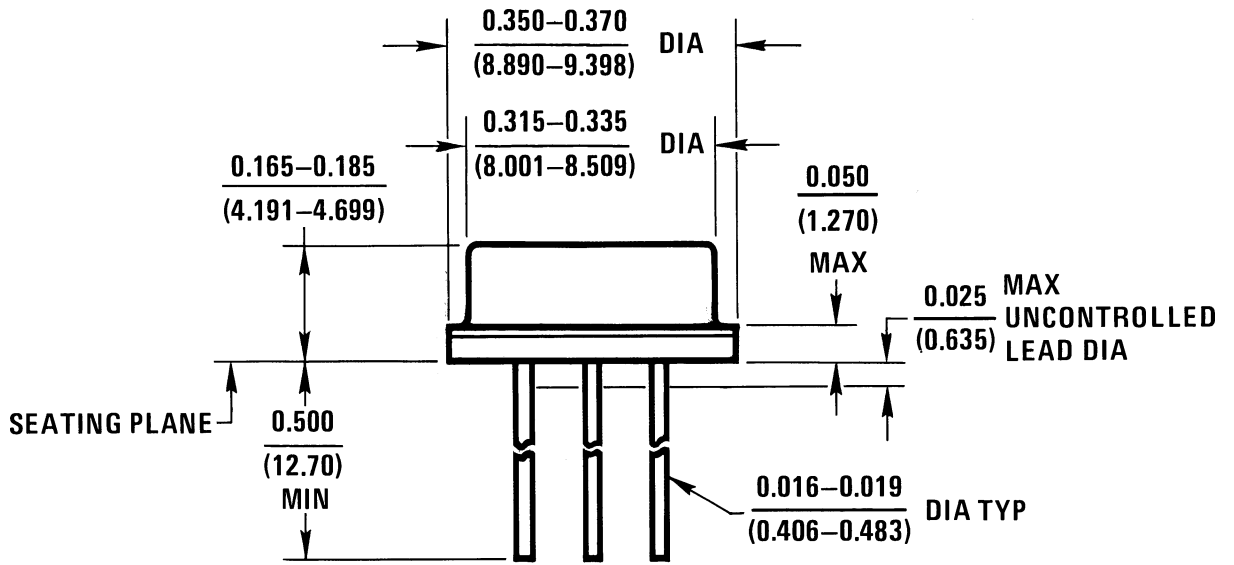
H10C (REV E)

3 Lead (0.100" Diameter P.C.) TO-18 Metal Can Package NS Package Number H03C



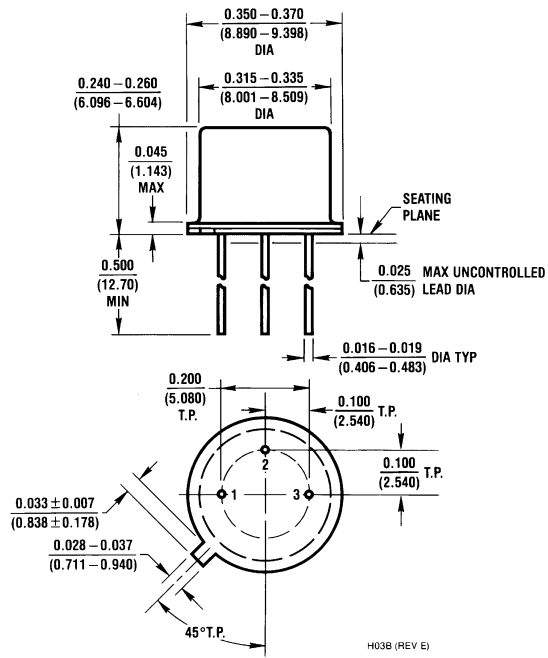
H03C (REV D)

3 Lead (0.200" Diameter P.C.) TO-39 Metal Can Package, Low Profile NS Package Number H03A

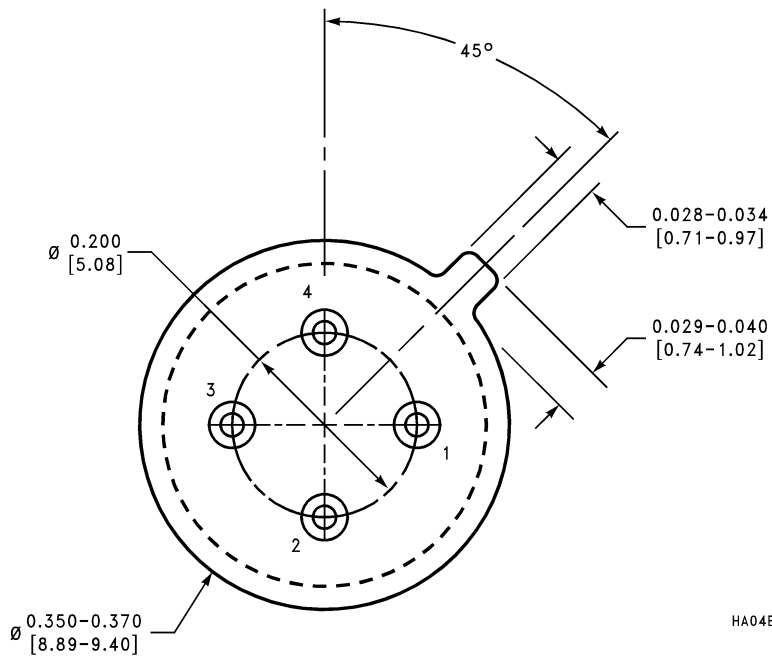
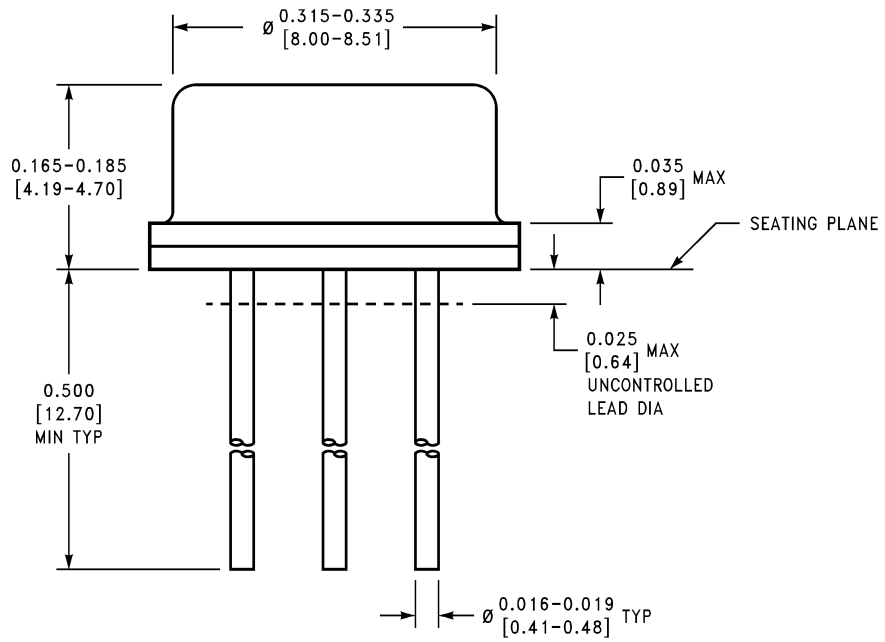


H03A (REV B)

3 Lead (0.200" Diameter P.C.) TO-39 Metal Can Package, High Profile NS Package Number H03B

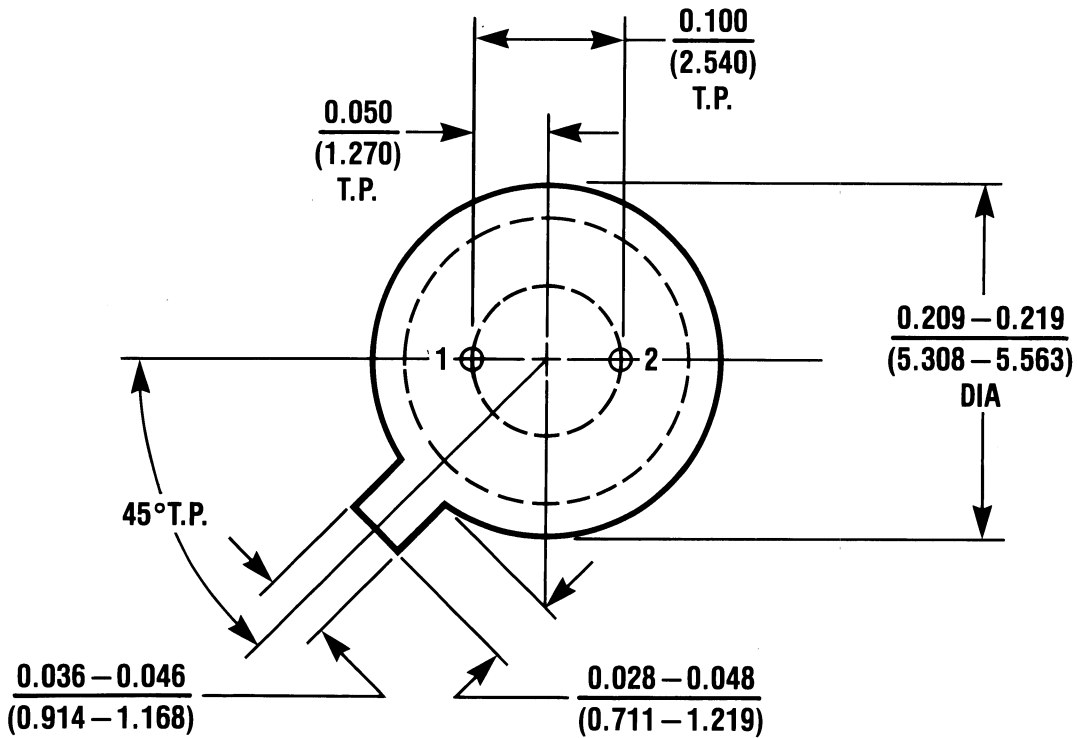
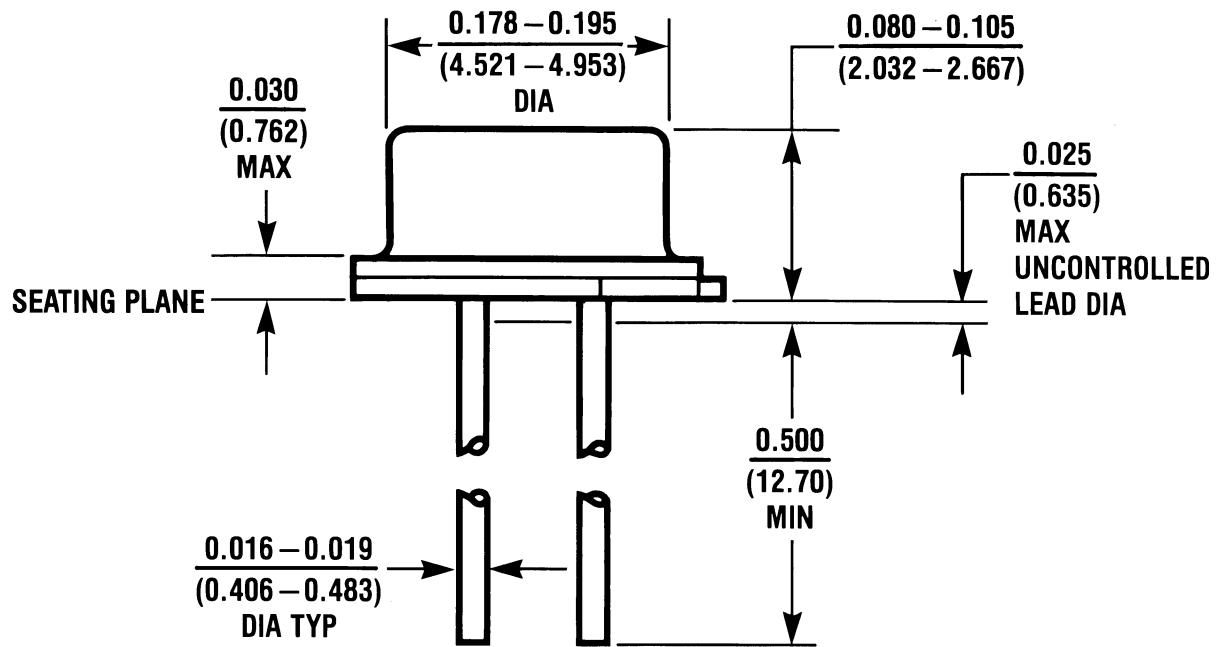


4 Lead (0.200" Diameter P.C.) TO-39 Metal Can Package NS Package Number HA04E

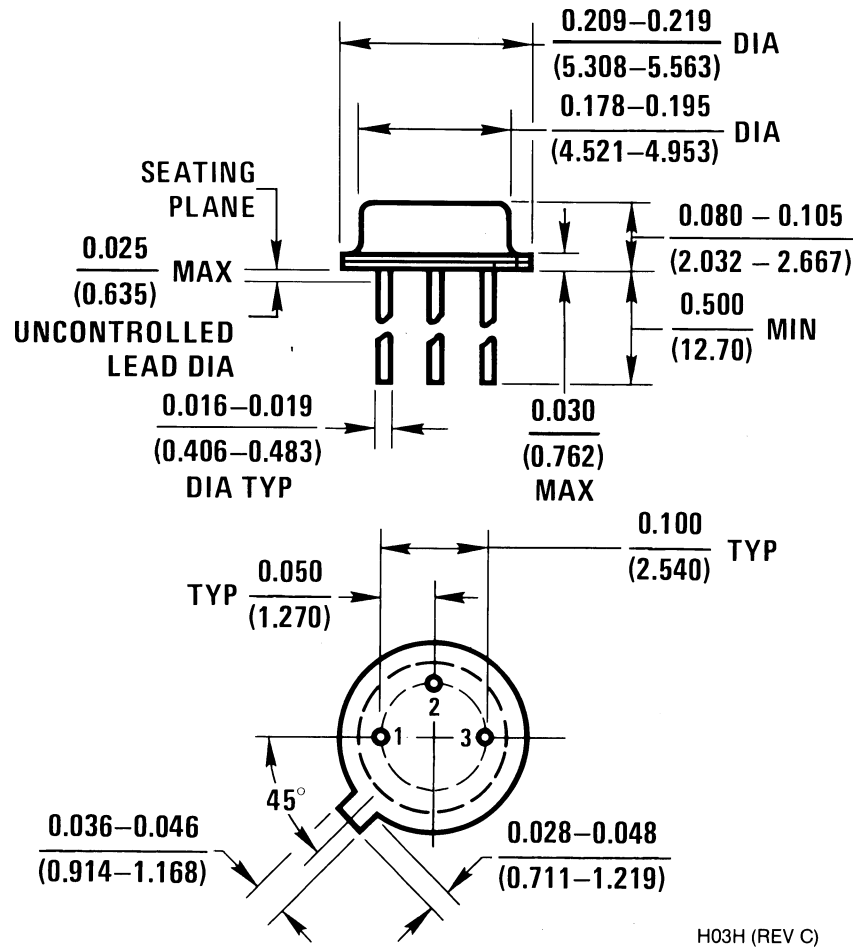


HA04E (REV B)

**2 Lead (0.100" Diameter P.C.) TO-46 Metal Can Package
NS Package Number H02A**

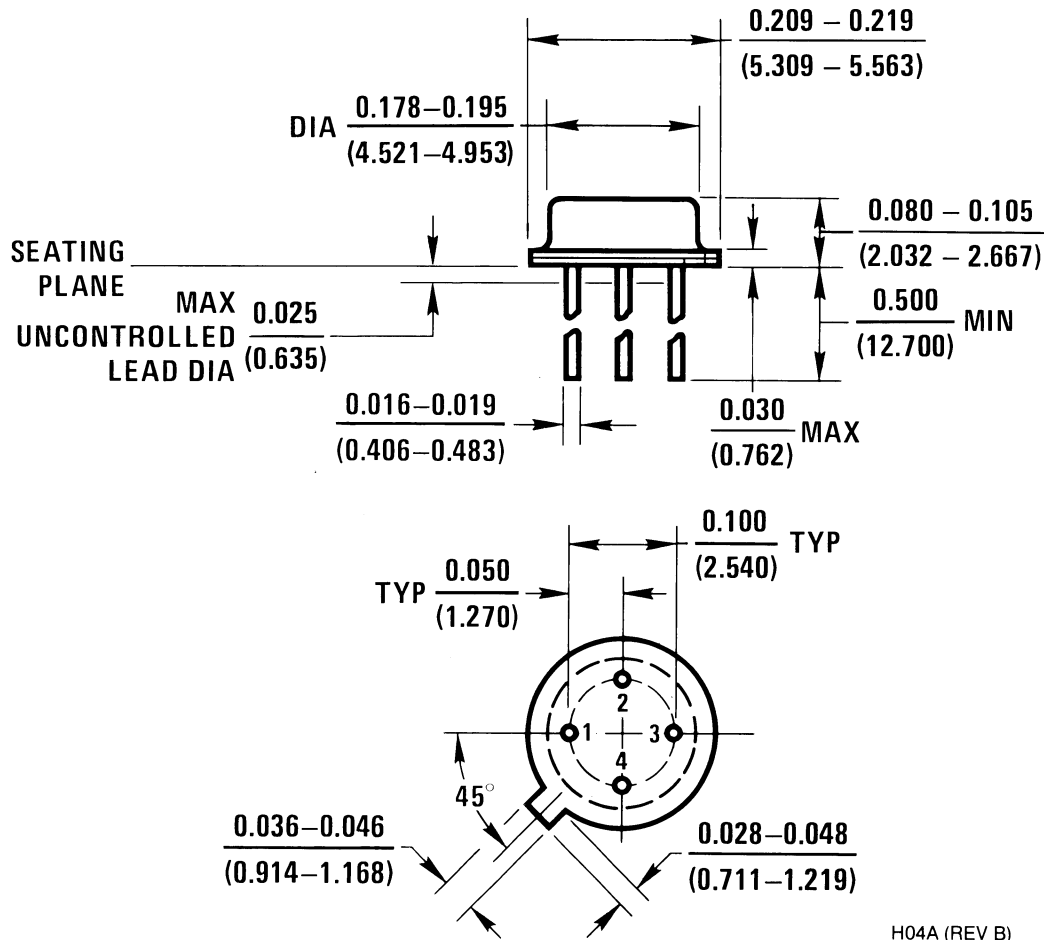


3 Lead (0.100" Diameter P.C.) TO-46 Metal Can Package NS Package Number H03H

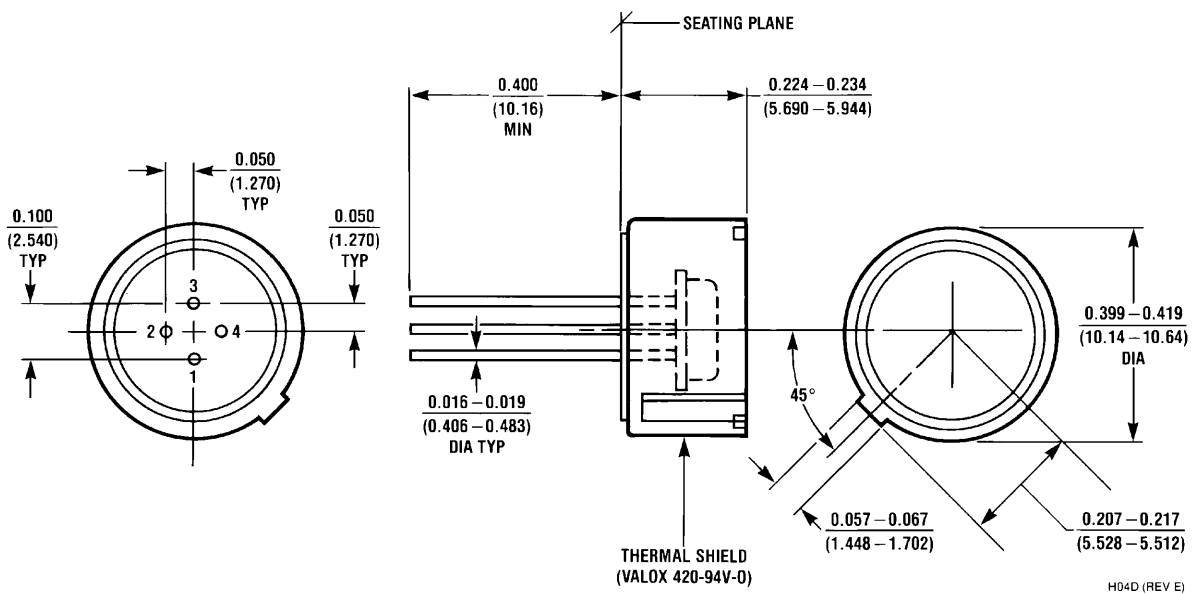


H03H (REV C)

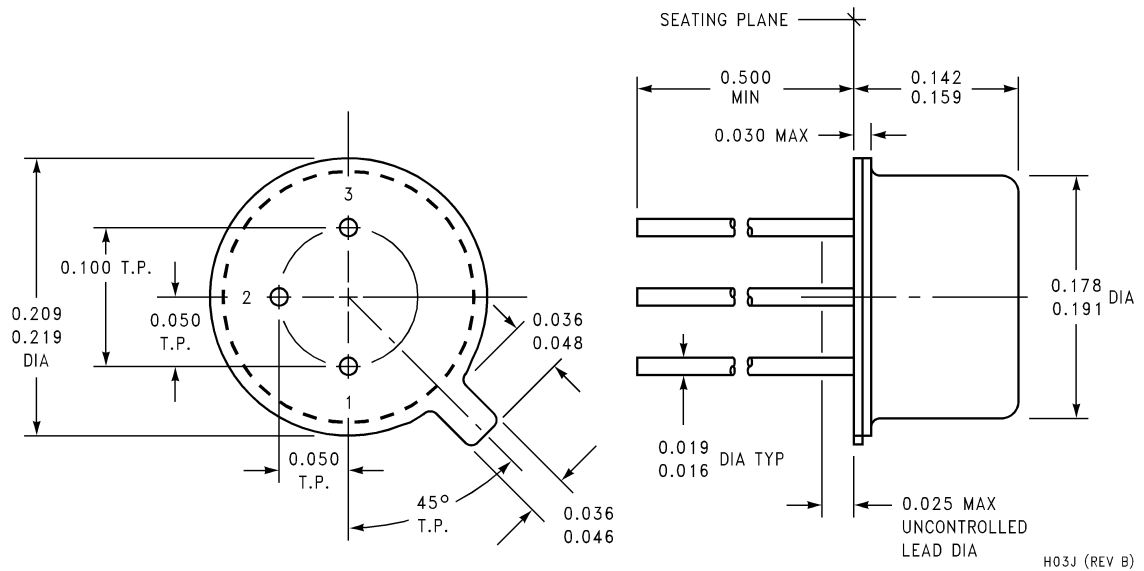
4 Lead (0.100" Diameter P.C.) TO-46 Metal Can Package NS Package Number H04A



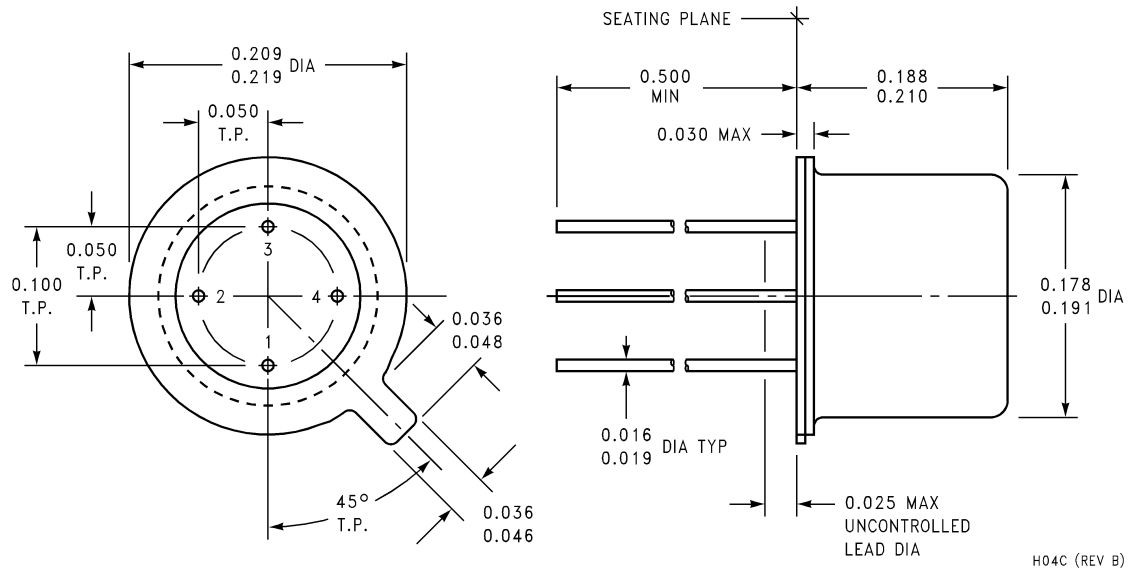
4 Lead (0.100" Diameter P.C.) TO-46 Metal Can Package NS Package Number H04D



3 Lead (0.100" Diameter P.C.) TO-52 Metal Can Package NS Package Number H03J



4 Lead (0.100" Diameter P.C.) TO-72 Metal Can Package NS Package Number H04C



Notes

LIFE SUPPORT POLICY

NATIONAL'S PRODUCTS ARE NOT AUTHORIZED FOR USE AS CRITICAL COMPONENTS IN LIFE SUPPORT DEVICES OR SYSTEMS WITHOUT THE EXPRESS WRITTEN APPROVAL OF THE PRESIDENT AND GENERAL COUNSEL OF NATIONAL SEMICONDUCTOR CORPORATION. As used herein:

1. Life support devices or systems are devices or systems which, (a) are intended for surgical implant into the body, or (b) support or sustain life, and whose failure to perform when properly used in accordance with instructions for use provided in the labeling, can be reasonably expected to result in a significant injury to the user.
2. A critical component is any component of a life support device or system whose failure to perform can be reasonably expected to cause the failure of the life support device or system, or to affect its safety or effectiveness.



National Semiconductor Corporation
Americas
Tel: 1-800-272-9959
Fax: 1-800-737-7018
Email: support@nsc.com

www.national.com

National Semiconductor Europe

Fax: +49 (0) 1 80-530 85 86
Email: europe.support@nsc.com
Deutsch Tel: +49 (0) 1 80-530 85 85
English Tel: +49 (0) 1 80-532 78 32
Français Tel: +49 (0) 1 80-532 93 58
Italiano Tel: +49 (0) 1 80-534 16 80

National Semiconductor Asia Pacific Customer Response Group

Tel: 65-2544466
Fax: 65-2504466
Email: sea.support@nsc.com

National Semiconductor Japan Ltd.

Tel: 81-3-5639-7560
Fax: 81-3-5639-7507