

# DS3486

## Quad RS-422, RS-423 Line Receiver

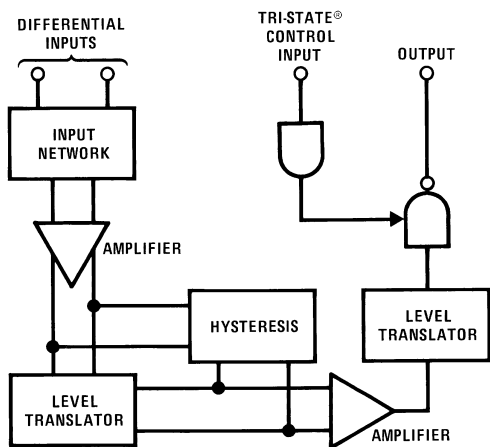
### General Description

National's quad RS-422, RS-423 receiver features four independent receivers which comply with EIA Standards for the electrical characteristics of balanced/unbalanced voltage digital interface circuits. Receiver outputs are 74LS compatible, TRI-STATE® structures which are forced to a high impedance state when the appropriate output control pin reaches a logic zero condition. A PNP device buffers each output control pin to assure minimum loading for either logic one or logic zero inputs. In addition, each receiver has internal hysteresis circuitry to improve noise margin and discourage output instability for slowly changing input waveforms.

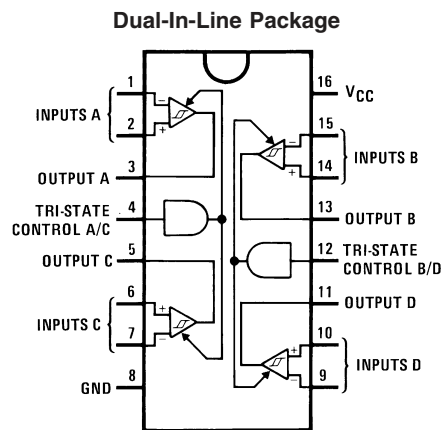
### Features

- Four independent receivers
- TRI-STATE outputs
- Internal hysteresis -140 mV (typ)
- Fast propagation times -19 ns (typ)
- TTL compatible outputs
- 5V supply
- Pin compatible and interchangeable with MC3486

### Block and Connection Diagrams



00577901



00577902

**Top View**  
Order Number DS3486M or DS3486N  
See NS Package Number M16A or N16E

**Absolute Maximum Ratings** (Note 2)

If Military/Aerospace specified devices are required, please contact the National Semiconductor Sales Office/Distributors for availability and specifications.

Power Supply Voltage, $V_{CC}$	8V
Input Common-Mode Voltage, $V_{ICM}$	$\pm 25V$
Input Differential Voltage, $V_{ID}$	$\pm 25V$
TRI-STATE Control Input Voltage, $V_I$	8V
Output Sink Current, $I_O$	50 mA
Storage Temperature, $T_{STG}$	$-65^{\circ}C$ to $+150^{\circ}C$

Maximum Power Dissipation (Note 1) at  $25^{\circ}C$ 

Molded Dip Package	1362 mW
SO Package	1002 mW

**Operating Conditions**

	Max	Min	Units
Power Supply Voltage, $V_{CC}$	4.75	5.25	V
Operating Temperature, $T_A$	0	70	$^{\circ}C$
Input Common-Mode Voltage Range, $V_{ICR}$	-7.0	7.0	V

**Note 1:** Derate Dip molded package 10.2 mW/ $^{\circ}C$  above  $25^{\circ}C$ . Derate SO package 8.01 mW/ $^{\circ}C$  above  $25^{\circ}C$ .

**Electrical Characteristics** (Note 3)

(Unless otherwise noted, minimum and maximum limits apply over recommended temperature and power supply voltage ranges. Typical values are for  $T_A = 25^{\circ}C$ ,  $V_{CC} = 5V$  and  $V_{IC} = 0V$ .)

Symbol	Parameter	Conditions	Min	Typ	Max	Units
$V_{IH}$	Input Voltage—High Logic State (TRI-STATE Control)		2.0			V
$V_{IL}$	Input Voltage—Low Logic State (TRI-STATE Control)				0.8	V
$V_{TH(D)}$	Differential Input Threshold Voltage	$-7V \leq V_{IC} \leq 7V$ , $V_{IH(3C)} = 2V$ $I_O = -0.4$ mA, $V_{OH} \geq 2.7V$		0.070	0.2	V
		$I_O = 8$ mA, $V_{OL} \geq 0.5V$		0.070	-0.2	V
$I_{IB(D)}$	Input Bias Current	$V_{CC} = 0V$ or $5.25V$ , Other Inputs at $0V$				
		$V_I = -10V$			-3.25	mA
		$V_I = -3V$			-1.50	mA
		$V_I = 3V$			1.50	mA
	Input Balance	$V_I = 10V$			3.25	mA
		$-7V \leq V_{IC} \leq 7V$ , $V_{IH(3C)} = 2V$ , (Note 5)				
		$V_{OH}$ $I_O = -0.4$ mA, $V_{ID} = 0.4V$	2.7			V
		$V_{OL}$ $I_O = 8$ mA, $V_{ID} = -0.4V$			0.5	V
$I_{OZ}$	Output TRI-STATE Leakage Current	$V_{I(D)} = 3V$ , $V_{IL} = 0.8V$ , $V_{OL} = 0.5V$			-40	$\mu A$
		$V_{I(D)} = -3V$ , $V_{IL} = 0.8V$ , $V_{OH} = 2.7V$			40	$\mu A$
$I_{OS}$	Output Short-Circuit Current	$V_{I(D)} = 3V$ , $V_{IH}$ TRI-STATE = $2V$ , $V_O = 0V$ , (Note 4)	-15		-100	mA
$I_{IL}$	Input Current—Low Logic State (TRI-STATE Control)	$V_{IL} = 0.5V$			-100	$\mu A$
$I_{IH}$	Input Current—High Logic State (TRI-STATE Control)	$V_{IH} = 2.7V$			20	$\mu A$
		$V_{IH} = 5.25V$			100	$\mu A$
$V_{IC}$	Input Clamp Diode Voltage (TRI-STATE Control)	$I_{IN} = -10$ mA			-1.5	V
$I_{CC}$	Power Supply Current	All Inputs $V_{IL} = 0V$			85	mA

**Note 2:** "Absolute Maximum Ratings" are those values beyond which the safety of the device cannot be guaranteed. They are not meant to imply that the devices should be operated at these limits. The table of "Electrical Characteristics" provides conditions for actual device operation.

**Note 3:** All currents into device pins are shown as positive, out of device pins are negative. All voltages referenced to ground unless otherwise noted.

**Note 4:** Only one output at a time should be shorted.

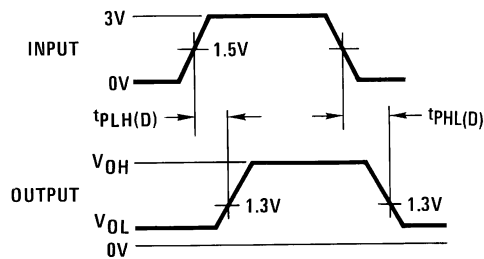
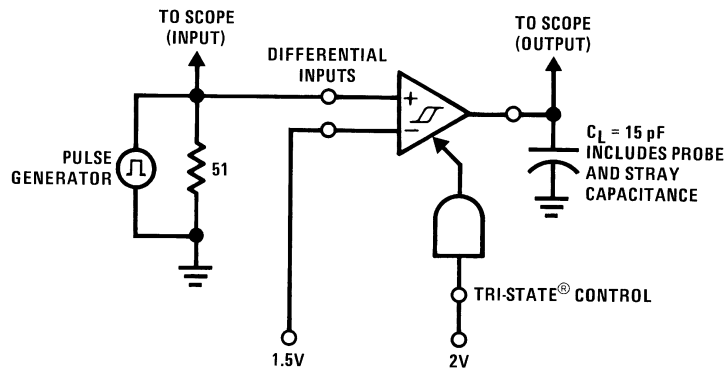
**Note 5:** Refer to EIA RS-422/3 for exact conditions.

## Switching Characteristics

(Unless otherwise noted,  $V_{CC} = 5V$  and  $T_A = 25^\circ C$ .)

Symbol	Parameter	Min	Typ	Max	Units
$t_{PHL(D)}$	Propagation Delay Time—Differential Inputs to Output Output High to Low		19	35	ns
$t_{PLH(D)}$	Output Low to High		19	30	ns
$t_{PLZ}$	TRI-STATE Control to Output Output Low to TRI-STATE		23	35	ns
$t_{PHZ}$	Output High to TRI-STATE		25	35	ns
$t_{PZH}$	Output TRI-STATE to High		18	30	ns
$t_{PZL}$	Output TRI-STATE to Low		20	30	ns

### AC Test Circuit and Switching Time Waveforms



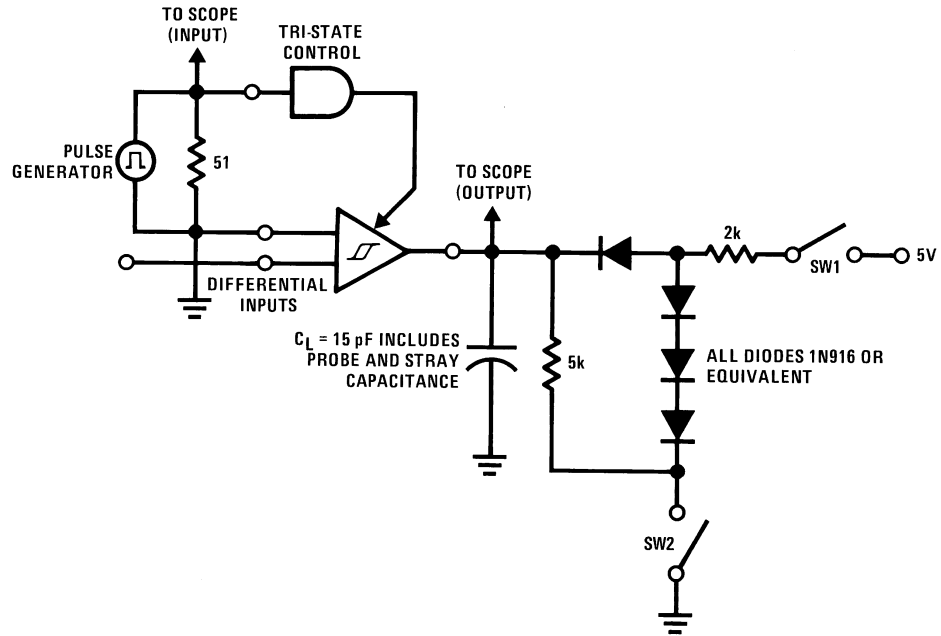
Input pulse characteristics:

$t_{TLH} = t_{THL} = 6 \text{ ns}$  (10% to 90%)

PRR = 1 MHz, 50% duty cycle

FIGURE 1. Propagation Delay Differential Input to Output

# AC Test Circuit and Switching Time Waveforms (Continued)



00577905

1.5V for  $t_{PHZ}$  and  $t_{PLZ}$

1.5V for  $t_{PLZ}$  and  $t_{PZL}$

Input pulse characteristics:

$t_{LH} = t_{THL} = 6 \text{ ns}$  (10% to 90%)

PRR = 1 MHz, 50% duty cycle

AC Test Circuit and Switching Time Waveforms (Continued)

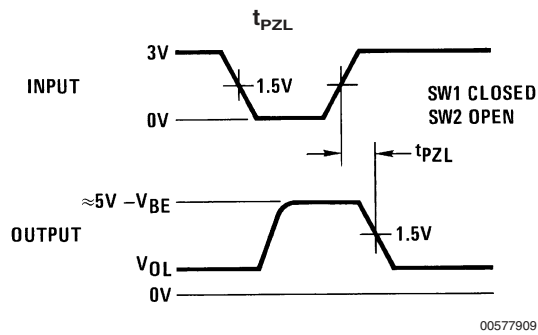
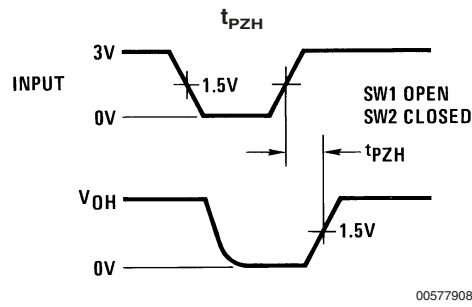
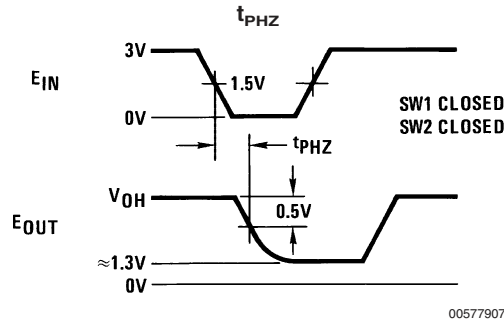
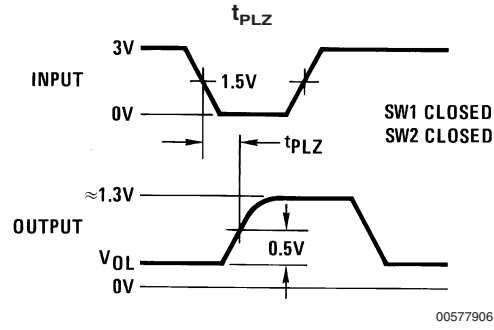
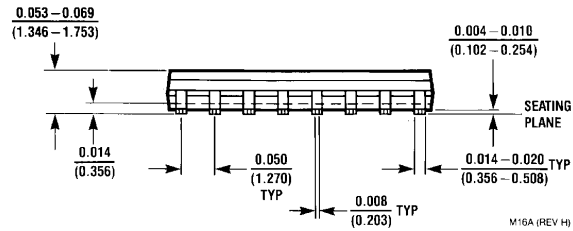
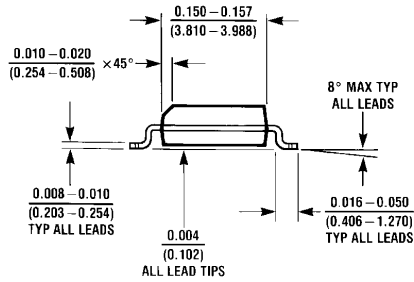
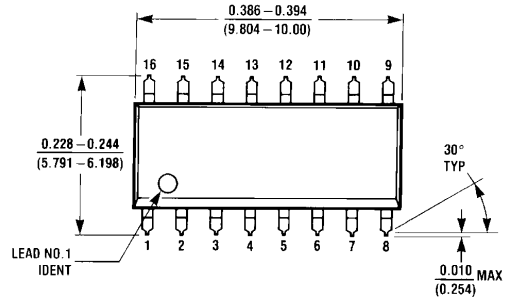


FIGURE 2. Propagation Delay TRI-STATE Control Input to Output

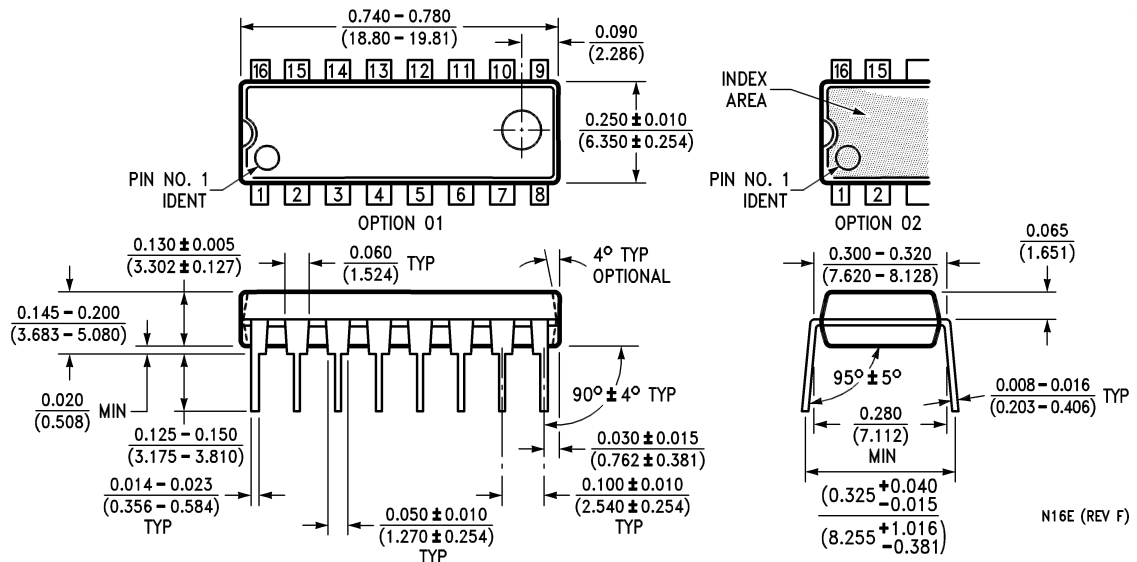
**Physical Dimensions** inches (millimeters)

unless otherwise noted



M16A (REV H)

**SO Package (M)**  
**Order Number DS3486M**  
**NS Package Number M16A**



N16E (REV F)

**Molded Dual-In-Line Package (N)**  
**Order Number DS3486N**  
**NS Package Number N16E**

## Notes

### LIFE SUPPORT POLICY

NATIONAL'S PRODUCTS ARE NOT AUTHORIZED FOR USE AS CRITICAL COMPONENTS IN LIFE SUPPORT DEVICES OR SYSTEMS WITHOUT THE EXPRESS WRITTEN APPROVAL OF THE PRESIDENT AND GENERAL COUNSEL OF NATIONAL SEMICONDUCTOR CORPORATION. As used herein:

1. Life support devices or systems are devices or systems which, (a) are intended for surgical implant into the body, or (b) support or sustain life, and whose failure to perform when properly used in accordance with instructions for use provided in the labeling, can be reasonably expected to result in a significant injury to the user.
2. A critical component is any component of a life support device or system whose failure to perform can be reasonably expected to cause the failure of the life support device or system, or to affect its safety or effectiveness.

### BANNED SUBSTANCE COMPLIANCE

National Semiconductor certifies that the products and packing materials meet the provisions of the Customer Products Stewardship Specification (CSP-9-111C2) and the Banned Substances and Materials of Interest Specification (CSP-9-111S2) and contain no "Banned Substances" as defined in CSP-9-111S2.



**National Semiconductor**  
Americas Customer  
Support Center  
Email: [new.feedback@nsc.com](mailto:new.feedback@nsc.com)  
Tel: 1-800-272-9959

**National Semiconductor**  
Europe Customer Support Center  
Fax: +49 (0) 180-530 85 86  
Email: [europe.support@nsc.com](mailto:europe.support@nsc.com)  
Deutsch Tel: +49 (0) 69 9508 6208  
English Tel: +44 (0) 870 24 0 2171  
Français Tel: +33 (0) 1 41 91 8790

**National Semiconductor**  
Asia Pacific Customer  
Support Center  
Email: [ap.support@nsc.com](mailto:ap.support@nsc.com)

**National Semiconductor**  
Japan Customer Support Center  
Fax: 81-3-5639-7507  
Email: [jpn.feedback@nsc.com](mailto:jpn.feedback@nsc.com)  
Tel: 81-3-5639-7560

[www.national.com](http://www.national.com)