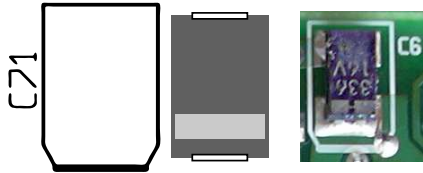


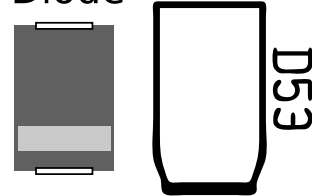



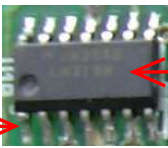



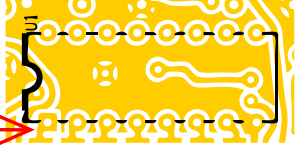
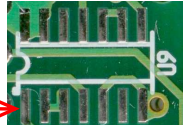
Component Orientation

Capacitor (polarized)



Diode



 <p>Pin 1 →</p> <p>← Part type</p>	Notch
 <p>Pin 1 →</p> <p>← Part type</p>	Dot
 <p>Pin 1 →</p> <p>← Part type</p>	Dot
 <p>Pin 1 →</p> <p>← Part type</p>	Strip
 <p>Pin 1 →</p> <p>← Part type</p>	Nothing
 <p>Pin 1 →</p>	On board
 <p>Pin 1 →</p>	